

15 - 25 TONS PACKAGED GAS / ELECTRIC UNITS

15 Tons Cooling Capacity: 180,000 BTU/h

20 Tons Cooling Capacity: 240,000 BTU/h

25 Tons Cooling Capacity: 290,000 BTU/h

15 Tons Heating Capacity: 350,000 BTU/h

20 Tons Heating Capacity: 400,000 BTU/h

25 Tons Heating Capacity: 400,000 BTU/h



■ Contents

Nomenclature	2
Product Specifications	3
Expanded Cooling Data	6
Airflow Data	12
Dimensions	14
Roof Curb Installation	18
Wiring Diagrams	20
Accessories	32

■ Standard Features

- Patented tubular heat exchanger
- High-efficiency scroll compressor
- Aluminum micro-channel indoor coil on 25-ton units
- 25-ton units contain two outdoor fans
- Copper tube / aluminum fin coils
- High- and low-pressure switches
- High-capacity, steel-cased filter drier
- 24-volt terminal strip
- Contactor with lugs
- Units meet the performance outlined in Table 6.8.1-1 of ASHRAE Standard 90.1-2013
- AHRI Certified; ETL Listed

■ Cabinet Features

- Heavy-gauge, galvanized-steel cabinet with UV-resistant powder-paint finish
- Condenser hail guards
- Full perimeter rail
- Built-in filter rack with standard 2" filters (convertible to 4" filters)
- Sloped drain pan



* Complete warranty details available from your local dealer or at www.daikincomfort.com.

	D	C	G	300	400	3	B	*	*	*	A	*
	1	2	3	4,5,6	7,8,9	10	11	12	13	14	15	16
	Revision Levels											
	Major & Minor											
	Factory-Installed Options											
Brand	D Daikin											
Configuration	C Standard Efficiency T High Efficiency (3-5 Tons)											
Application	C Cooling G Gas Heat H Heat Pump											
Nominal Cooling Capacity	036 3 Tons 102 8½ Tons 300 25 Tons 048 4 Tons 120 10 Tons 060 5 Tons 150 12½ tons 072 6 Tons 180 15 Tons 090 7½ Tons 240 20 Tons											
Nominal Heating Capacity	Gas/Electric A/C H/P Factory-Installed Electric Heat 045 45,000 BTU/h XXX No Heat 090 90,000 BTU/h 010 10 kW 030 30 kW 115 115,000 BTU/h 015 15 kW 031 30 kW 140 140,000 BTU/h 016 15 kW 045 45 kW 210 210,000 BTU/h 018 18 kW 046 45 kW 350 350,000 BTU/h 020 20 kW 060 60 kW 400 400,000 BTU/h 025 25 kW											
See product specifications for heat size(s) available for each capacity.												
Voltage	1 208-230/1/60 4 460/3/60 3 208-230/3/60 7 575/3/60											
Supply Fan/Drive Type/Motor	B Belt Drive (single speed) V Two-Speed Belt Drive (also designates 6-Ton with two-stage compressor) D Direct Drive (3-5 tons)											
Factory-Installed Options	X No Options A Ultra Low-Leak Downflow Economizer ¹ H Disconnect Switch (non-fused) J Ultra Low-Leak Downflow Economizer ¹ ; Disconnect Switch (non-fused) V Low-Leak Downflow Economizer ² W Low-Leak Downflow Economizer ² ; Disconnect Switch (non-fused)											
Note: Not all options available for all products. ¹ Please contact RRS Rooftop Systems directly if Power Exhaust is required. ² Please use part number DPE1803002 / DPE1803004 / DPE1803007 if Power Exhaust is required.												
	Factory-Installed Options											
	X Standard Aluminized Heat Exchanger S Stainless-Steel Heat Exchanger D Hinged Panels (3-12½ Tons) K Stainless-Steel Heat Exchanger; Hinged Panels (3-12½ Tons)											

- Factory-Installed Options**
- Stainless-Steel Heat Exchanger (DCG/DTG units only): A tubular heat exchanger made of 409-type stainless steel is installed in the unit.
 - Low-Ambient Kit: Allows for cooling operation at lower outdoor temperatures. On the 3- to 6-ton units, cooling operation is extended from 60°F ambient temperature to 35°F outside air temperature. On 7½ -20 ton units, cooling operation is extended from 35°F ambient temperature to 0°F outside air temperature. For 25 ton units, cooling operation is extended from 24°F ambient temperature to 0°F outside air temperature.
 - Economizers: Based on air conditions, can provide outside air to cool the space.
 - Electric Heat Kits (DCC/DTC and DCH/DTH units only): Available in all voltage options.
 - Non-powered Convenience Outlet: A 120V, 15A, GFCI outlet makes it easier for technicians to service the unit once an electrician runs power to the outlet.
 - Powered Convenience Outlet: A 120V, 15A, GFCI outlet powered with a transformer built into the unit. When a factory-installed powered convenience outlet is installed in the equipment, the unit MCA (Min. Circuit Ampacity) will increase by 7.5A for 208/230V units, increase by 3.75A for 460V units, and by 3A for 575V units. The MOP (Max. Overcurrent Protection) device must be sized accordingly.
 - Disconnect Switch (non-fused; 3-phase units only): A disconnect switch is installed in the unit and factory wiring will be complete from the switch to the unit. Please note that for air conditioning (DCC units) and heat pump models (DCH units), the appropriate electric heat kit must be ordered to be factory-installed along with the disconnect switch (non-fused) when it is ordered. Please note that for models with a powered convenience outlet option and a disconnect switch (non-fused) option, the power to the powered convenience outlet will be shut off when the disconnect switch (non-fused) is in the off position.
 - Return Air and/or Supply Air Smoke Detectors: Return air and/or supply air smoke detectors are installed in the unit.
 - Two-speed indoor fan blower models are available on 6, 7½, 8½, 10, 12½, 15, 20, & 25-ton units. Section 6.4.3.10.b of ASHRAE Standard 90.1-2010 and Section 6.5.3.2.1.a of ASHRAE Standard 90.1-2013 require a minimum of two fan speeds. Section 140.4(m)1 of California Energy Commission Title 24 2013 contains a similar requirement.
 - Hinged Access Panels: Allows access to unit's major components. Combined with latches for easy access to control box, compressor, filters and blower motor. Available on 3-12½ Tons units.

	DCG180 3503B***A*	DCG180 3503V***A*	DCG180 3504B***A*	DCG180 3504V***A*	DCG180 3507B***A*	DCG180 3507V***A*
COOLING CAPACITY						
Total, BTU/h	180,000	180,000	180,000	180,000	180,000	180,000
Sensible BTU/h	127,500	127,500	127,500	127,500	127,500	127,500
EER / IEER	10.8 / 11.0	10.8 / 12.6	10.8 / 11.0	10.8 / 12.6	10.8 / 11.0	10.8 / 12.6
Decibels	88	88	88	88	88	88
AHRI Reference #s	6502022	6502019	6502022	6502019	6502022	6502019
HEATING CAPACITY						
High Input/Output (KBTU/h)	350 / 280	350 / 280	350 / 280	350 / 280	350 / 280	350 / 280
Low Input/Output (KBTU/h)	262.5 / 210	262.5 / 210	262.5 / 210	262.5 / 210	262.5 / 210	262.5 / 210
Steady State Efficiency (%)	80	80	80	80	80	80
Temperature Rise: High / Low (°F)	30-60 / 20-50	30-60 / 20-50	30-60 / 20-50	30-60 / 20-50	30-60 / 20-50	30-60 / 20-50
No. of Burners	7	7	7	7	7	7
EVAPORATOR MOTOR / COIL						
Motor Type (Belt Drive)	Std Static	2-speed Belt Drive	Std Static	2-speed Belt Drive	Std Static	2-speed Belt Drive
Indoor Nominal CFM	5,600	5,600	5,600	5,600	5,600	5,600
Indoor Motor FLA (Cooling)	12.7	14	6.4	6.6	5.1	5.2
Horsepower - RPM	5.0 - 1,725	5.0 - 1,775/1185	5.0 - 1,725	5.0 - 1,775/1185	5.0 - 1,725	5.0 - 1,750/1185
Metering Device	TXV	TXV	TXV	TXV	TXV	TXV
Filter Size (#)	20 x 25 x 2 (6)	20 x 25 x 2 (6)	20 x 25 x 2 (6)	20 x 25 x 2 (6)	20 x 25 x 2 (6)	20 x 25 x 2 (6)
Drain Size (NPT)	1"	1"	1"	1"	1"	1"
R-410A Refrigerant Charge Cir #1	186.2	186.2	186.2	186.2	186.2	186.2
R-410A Refrigerant Charge Cir #2	170.8	170.8	170.8	170.8	170.8	170.8
Evaporator Coil Face Area (ft ²)	20	20	20	20	20	20
Rows Deep / Fins per Inch	4 / 16	4 / 16	4 / 16	4 / 16	4 / 16	4 / 16
BELT DRIVE EVAP FAN DATA						
# of Wheels (D x W)	2 (15" x 12")	2 (15" x 12")	2 (15" x 12")	2 (15" x 12")	2 (15" x 12")	2 (15" x 12")
Motor Sheave	1VP50 x 1½"	1VP60 x 1½"	1VP50 x 1½"	1VP60 x 1½"	1VP50 x 1½"	1VP60 x 1½"
Blower Sheave	BK90 x 1¾"	BK110 x 1¾"	BK90 x 1¾"	BK110 x 1¾"	BK90 x 1¾"	BK110 x 1¾"
Belt	BX42	BX48	BX42	BX48	BX42	BX48
CONDENSER FAN / COIL						
Quantity of Condenser Fan Motors	3	3	3	3	3	3
Horsepower - RPM	½ - 1,075	½ - 1,075	½ - 1,075	½ - 1,075	½ - 1,075	½ - 1,075
Fan Diameter / # Fan Blades	22 / 3	22 / 3	22 / 3	22 / 3	22 / 3	22 / 3
Outdoor Nominal CFM	9,000	9,000	9,000	9,000	9,000	9,000
Face Area (ft ²)	53.3	53.3	53.3	53.3	53.3	53.3
Rows Deep / Fins per Inch	2 / 27	2 / 27	2 / 27	2 / 27	2 / 27	2 / 27
COMPRESSOR						
Quantity / Type	2 / Scroll	2 / Scroll	2 / Scroll	2 / Scroll	2 / Scroll	2 / Scroll
Compressor RLA / LRA CIR. #1	25 / 164	25 / 164	12.2 / 100	12.2 / 100	9.0 / 78	9.0 / 78
Compressor RLA / LRA CIR. #2	25 / 164	25 / 164	12.2 / 100	12.2 / 100	9.0 / 78	9.0 / 78
ELECTRICAL DATA						
Voltage / Phase / Frequency	208-230/3/60	208-230/3/60	460/3/60	460/3/60	575/3/60	575/3/60
Standard Max Static	1.2	1.2	1.2	1.2	1.2	1.2
Outdoor Fan FLA / LRA	2.0/4.4	2.0/4.4	.9/2.2	.9/2.2	.9 / 2.2	.9 / 2.2
Total Unit Amps	68.7	70	33.5	33.7	25.8	25.9
Min. Circuit Ampacity ¹	75	76.3	36.8	37	28	28
Max. Overcurrent Protection (amps) ²	90	100	45	45	35	35
Entrance Power Supply	2½"	2½"	2½"	2½"	2½"	2½"
Entrance Control Voltage	¾"	¾"	¾"	¾"	¾"	¾"
OPERATING WEIGHT (LBS)						
	2083	2083	2083	2083	2083	2083
SHIP WEIGHT (LBS)						
	2198	2198	2198	2198	2198	2198

¹ Wire size should be determined in accordance with National Electrical Codes. Extensive wire runs will require larger wire sizes.

² May use fuses or HACR-type circuit breakers of the same size as noted.

Note: Always check the S&R plate for electrical data on the unit being installed.

	DCG240 4003B***A*	DCG240 4003V***B*	DCG240 4004B***A*	DCG240 4004V***B*	DCG240 4007B***A*	DCG240 4007V***B*
COOLING CAPACITY						
Total, BTU/h	240,000	240,000	240,000	240,000	240,000	240,000
Sensible BTU/h	170,000	170,000	170,000	170,000	170,000	170,000
EER / IEER	9.8 / 10.0	9.8 / 11.4	9.8 / 10.0	9.8 / 11.4	9.8 / 10.0	9.8 / 11.4
Decibels	88.3	88.3	88.3	88.3	88.3	88.3
AHRI Reference #s	6502024	8813881	6502024	8813881	6502024	8813881
HEATING CAPACITY						
High Input/Output (KBTU/h)	400 / 320	400 / 320	400 / 320	400 / 320	400 / 320	400 / 320
Low Input/Output (KBTU/h)	300 / 240	300 / 240	300 / 240	300 / 240	300 / 240	300 / 240
Steady State Efficiency	80	80	80	80	80	80
Temperature Rise Range (°F) High/Low	25-55 / 15-45	25-55 / 15-45	25-55 / 15-45	25-55 / 15-45	25-55 / 15-45	25-55 / 15-45
No. of Burners	8	8	8	8	8	8
EVAPORATOR MOTOR / COIL						
Motor Type (Belt Drive)	Std Static	2-speed Belt Drive	Std Static	2-speed Belt Drive	Std Static	2-speed Belt Drive
Indoor Nominal CFM	7,000	7,000	7,000	7,000	7,000	7,000
Indoor Motor FLA (Cooling)	13.8	14	6.3	6.6	5.1	5.2
Horsepower - RPM	5.0 - 1,725	5.0 - 1,775/1185	5.0 - 1,725	5.0 - 1,775/1185	5.0 - 1,725	5.0 - 1,750/1185
Metering Device	TXV	TXV	TXV	TXV	TXV	TXV
Filter Size (#)	20 x 25 x 2 (6)	20 x 25 x 2 (6)	20 x 25 x 2 (6)	20 x 25 x 2 (6)	20 x 25 x 2 (6)	20 x 25 x 2 (6)
Drain Size (NPT)	1"	1"	1"	1"	1"	1"
R-410A Refrigerant Charge Cir #s 1 & 2	200 ozs.	177 & 195 ozs.	200 ozs.	177 & 195 ozs.	200 ozs.	177 & 195 ozs.
Evaporator Coil Face Area (ft ²)	20	20	20	20	20	20
Rows Deep / Fins per Inch	4 / 16	4 / 16	4 / 16	4 / 16	4 / 16	4 / 16
BELT DRIVE EVAP FAN DATA						
# of Wheels (D x W)	2 (15" x 15")	2 (15" x 15")	2 (15" x 15")	2 (15" x 15")	2 (15" x 15")	2 (15" x 15")
Motor Sheave	1VP60 x 1 $\frac{1}{8}$ "	1VP60 x 1 $\frac{3}{8}$ "	1VP60 x 1 $\frac{1}{8}$ "	1VP60 x 1 $\frac{1}{8}$ "	1VP60 x 1 $\frac{1}{8}$ "	1VP60 x 1 $\frac{3}{8}$ "
Blower Sheave	BK100 x $\frac{7}{16}$ "	BK100 x 1 $\frac{7}{16}$ "	BK100 x $\frac{7}{16}$ "	BK100 x 1 $\frac{7}{16}$ "	BK100 x $\frac{7}{16}$ "	BK100 x 1 $\frac{7}{16}$ "
Belt	BX46	BX45	BX46	BX45	BX46	BX45
CONDENSER FAN / COIL						
Quantity of Condenser Fan Motors	3	3	3	3	3	3
Horsepower - RPM	$\frac{1}{2}$ - 1,075	$\frac{1}{2}$ - 1,075	$\frac{1}{2}$ - 1,075	$\frac{1}{2}$ - 1,075	$\frac{1}{2}$ - 1,075	$\frac{1}{2}$ - 1,075
Fan Diameter / # Fan Blades	22 / 3	22 / 3	22 / 3	22 / 3	22 / 3	22 / 3
Outdoor Nominal CFM	9,000	9,000	9,000	9,000	9,000	9,000
Face Area (ft ²)	53.3	53.3	53.3	53.3	53.3	53.3
Rows Deep / Fins per Inch	2 / 27	2 / 27	2 / 27	2 / 27	2 / 27	2 / 27
COMPRESSOR						
Quantity / Type	2 / Scroll	2 / Scroll	2 / Scroll	2 / Scroll	2 / Scroll	2 / Scroll
Compressor RLA / LRA ea.	34.0 / 240.0	34.0 / 240.0	16.0 / 140.0	16.0 / 140.0	12.9 / 107.6	12.9 / 107.6
ELECTRICAL DATA						
Voltage / Phase / Frequency	208-230/3/60	208-230/3/60	460/3/60	460/3/60	575/3/60	575/3/60
Standard Max Static	1.4	1.4	1.4	1.4	1.4	1.4
Outdoor Fan FLA / LRA	2.4 / 5.2	2.4 / 5.2	1.2 / 2.6	1.2 / 2.6	.9 / 2.2	.9 / 2.2
Total Unit Amps	89.0	89.2	41.9	42.2	33.6	33.7
Min. Circuit Ampacity ¹	97.5	97.7	46.0	46.2	36.8	36.9
Max. Overcurrent Protection (amps) ²	125	125	60	60	45	45
Entrance Power Supply	2 $\frac{1}{2}$ "	2 $\frac{1}{2}$ "	2 $\frac{1}{2}$ "	2 $\frac{1}{2}$ "	2 $\frac{1}{2}$ "	2 $\frac{1}{2}$ "
Entrance Control Voltage	$\frac{7}{8}$ "	$\frac{7}{8}$ "	$\frac{7}{8}$ "	$\frac{7}{8}$ "	$\frac{7}{8}$ "	$\frac{7}{8}$ "
OPERATING WEIGHT (LBS)						
	2242	2242	2242	2242	2242	2242
SHIP WEIGHT (LBS)						
	2357	2357	2357	2357	2357	2357

¹ Wire size should be determined in accordance with National Electrical Codes. Extensive wire runs will require larger wire sizes.

² May use fuses or HACR-type circuit breakers of the same size as noted.

Note: Always check the S&R plate for electrical data on the unit being installed.

	DCG300 4003B***A*	DCG300 4003V***A*	DCG300 4004B***A*	DCG300 4004V***A*	DCG300 4007B***A*	DCG300 4007V***A*
COOLING CAPACITY						
Total, BTU/h	290,000	290,000	290,000	290,000	290,000	290,000
Sensible BTU/h	196,000	196,000	196,000	196,000	196,000	196,000
EER / IEER	9.8 / 10.0	9.8 / 11.4	9.8 / 10.0	9.8 / 11.4	9.8 / 10.0	9.8 / 11.4
Decibels	92.3	92.3	92.3	92.3	92.3	92.3
AHRI Reference #s	8199470	8582014	8199470	8582014	8199470	8582014
HEATING CAPACITY						
High Input/Output (KBTU/h)	400 / 320	400 / 320	400 / 320	400 / 320	400 / 320	400 / 320
Low Input/Output (KBTU/h)	300 / 240	300 / 240	300 / 240	300 / 240	300 / 240	300 / 240
Steady State Efficiency	80	80	80	80	80	80
Temperature Rise Range (°F) High/Low	25-55 / 15-45	25-55 / 15-45	25-55 / 15-45	25-55 / 15-45	25-55 / 15-45	25-55 / 15-45
No. of Burners	8	8	8	8	8	8
EVAPORATOR MOTOR / COIL						
Motor Type (Belt Drive)	Std Static	2-speed Belt Drive	Std Static	2-speed Belt Drive	Std Static	2-speed Belt Drive
Indoor Nominal CFM	8,200	8,200	8,200	8,200	8,200	8,200
Indoor Motor FLA (Cooling)	20.4	21.0	9.41	10.1	7.5	8.2
Horsepower - RPM	7.5 - 1745	7.5 - 1770/1175	7.5 - 1745	7.5 - 1770/1175	7.5 - 1745	7.5 - 1770/1175
Metering Device	TXV	TXV	TXV	TXV	TXV	TXV
Filter Size (#)	20 x 20 x 2 (8)	20 x 20 x 2 (8)	20 x 20 x 2 (8)	20 x 20 x 2 (8)	20 x 20 x 2 (8)	20 x 20 x 2 (8)
Drain Size (NPT)	1"	1"	1"	1"	1"	1"
R-410A Refrigerant Charge Cir #s 1 & 2	215 & 198 ozs.	215 & 198 ozs.	215 & 198 ozs.	215 & 198 ozs.	215 & 198 ozs.	215 & 198 ozs.
Evaporator Coil Face Area (ft ²)	17.2	17.2	17.2	17.2	17.2	17.2
Rows Deep / Fins per Inch	2 / 15	2 / 15	2 / 15	2 / 15	2 / 15	2 / 15
BELT DRIVE EVAP FAN DATA						
# of Wheels (D x W)	2 (15" x 15")	2 (15" x 15")	2 (15" x 15")	2 (15" x 15")	2 (15" x 15")	2 (15" x 15")
Motor Sheave	1VP68 x 1½"	1VP68 x 1½"	1VP68 x 1½"	1VP68 x 1½"	1VP68 x 1½"	1VP68 x 1½"
Blower Sheave	BK110 x 1⅞"	BK110 x 1⅞"	BK110 x 1⅞"	BK110 x 1⅞"	BK110 x 1⅞"	BK110 x 1⅞"
Belt	BX46	BX46	BX46	BX46	BX46	BX46
CONDENSER FAN / COIL						
Quantity of Condenser Fan Motors	2	2	2	2	2	2
Horsepower - RPM	1 - 1145	1 - 1145	1 - 1145	1 - 1145	1 - 1145	1 - 1145
Fan Diameter / # Fan Blades	30 / 2	30 / 2	30 / 2	30 / 2	30 / 2	30 / 2
Outdoor Nominal CFM	15,000	15,000	15,000	15,000	15,000	15,000
Face Area (ft ²)	53.3	53.3	53.3	53.3	53.3	53.3
Rows Deep / Fins per Inch	2 / 27	2 / 27	2 / 27	2 / 27	2 / 27	2 / 27
COMPRESSOR						
Quantity / Type	2 / Scroll	2 / Scroll	2 / Scroll	2 / Scroll	2 / Scroll	2 / Scroll
Compressor RLA / LRA CIR. #1	48.1 / 245	48.1 / 245	18.6 / 125	18.6 / 125	14.7 / 100	14.7 / 100
Compressor RLA / LRA CIR. #2	48.1 / 245	48.1 / 245	18.6 / 125	18.6 / 125	14.7 / 100	14.7 / 100
ELECTRICAL DATA						
Voltage / Phase / Frequency	208-230/3/60	208-230/3/60	460/3/60	460/3/60	575/3/60	575/3/60
Outdoor Fan FLA / LRA	4.5/24.1	4.5/24.1	2.1/12.2	2.1/12.2	1.6/6.5	1.6/6.5
Total Unit Amps	125.6	126.2	50.8	51.5	40.1	40.8
Min. Circuit Ampacity ¹	137.6	138.2	55.4	56.1	43.9	44.6
Max. Overcurrent Protection (amps) ²	175	175	70	70	50	50
Entrance Power Supply	2½"	2½"	2½"	2½"	2½"	2½"
Entrance Control Voltage	⅞"	⅞"	⅞"	⅞"	⅞"	⅞"
OPERATING WEIGHT (LBS)						
	2283	2293	2283	2293	2283	2293
SHIP WEIGHT (LBS)						
	2513	2523	2513	2523	2513	2523

¹ Wire size should be determined in accordance with National Electrical Codes. Extensive wire runs will require larger wire sizes.

² May use fuses or HACR-type circuit breakers of the same size as noted.

Note: Always check the S&R plate for electrical data on the unit being installed.

IDB		OUTDOOR AMBIENT TEMPERATURE																																			
		65						75						85						95						105						115					
		AIRFLOW		59	63	67	71	59	63	67	71	59	63	67	71	59	63	67	71	59	63	67	71	59	63	67	71	59	63	67	71						
70	6075	MBh	176.4	182.8	200.3	-	172.3	178.6	195.6	-	168.2	174.3	191.0	-	164.1	170.1	186.3	-	155.9	161.6	177.0	-	144.4	149.7	164.0	-	144.4	149.7	164.0	-							
		S/T	0.71	0.59	0.41	-	0.74	0.62	0.43	-	0.76	0.63	0.44	-	0.78	0.65	0.45	-	0.81	0.68	0.47	-	0.82	0.68	0.47	-	0.82	0.68	0.47	-							
		ΔT	19	16	12	-	19	17	13	-	19	17	13	-	19	17	13	-	19	17	13	-	18	15	12	-	18	15	12	-							
		HI PR	234	252	266	-	262	282	298	-	298	321	339	-	340	366	386	-	382	411	434	-	422	454	480	-	422	454	480	-							
	LO PR	102	109	119	-	108	115	126	-	112	120	131	-	118	126	137	-	124	132	144	-	128	136	149	-	128	136	149	-								
	MBh	171.2	177.5	194.5	-	167.3	173.4	189.9	-	163.3	169.2	185.4	-	159.3	165.1	180.9	-	151.3	156.9	171.9	-	140.2	145.3	159.2	-	140.2	145.3	159.2	-								
	S/T	0.68	0.57	0.39	-	0.70	0.59	0.41	-	0.72	0.60	0.42	-	0.74	0.62	0.43	-	0.77	0.65	0.45	-	0.78	0.65	0.45	-	0.78	0.65	0.45	-								
	ΔT	20	17	13	-	20	17	13	-	20	17	13	-	20	17	13	-	20	17	13	-	19	16	12	-	19	16	12	-								
	HI PR	231	249	263	-	260	279	295	-	295	318	336	-	336	362	382	-	378	407	430	-	418	450	475	-	418	450	475	-								
	LO PR	101	108	118	-	107	114	124	-	111	118	129	-	117	124	136	-	122	130	142	-	127	135	147	-	127	135	147	-								
	MBh	158.1	163.8	179.5	-	154.4	160.0	175.3	-	150.7	156.2	171.1	-	147.0	152.4	167.0	-	139.7	144.8	158.6	-	129.4	134.1	146.9	-	129.4	134.1	146.9	-								
	S/T	0.65	0.55	0.38	-	0.68	0.57	0.39	-	0.70	0.58	0.40	-	0.72	0.60	0.42	-	0.74	0.62	0.43	-	0.75	0.63	0.43	-	0.75	0.63	0.43	-								
ΔT	22	19	14	-	22	19	15	-	22	19	15	-	22	19	15	-	22	19	15	-	21	18	14	-	21	18	14	-									
HI PR	224	242	255	-	252	271	286	-	286	308	326	-	326	351	371	-	367	395	417	-	406	436	461	-	406	436	461	-									
LO PR	98	105	114	-	104	110	121	-	108	115	125	-	113	121	132	-	119	126	138	-	123	131	143	-	123	131	143	-									
75	6075	MBh	179.4	184.7	199.9	214.5	175.2	180.4	195.3	209.6	171.0	176.1	190.6	204.6	166.9	171.8	186.0	199.6	158.5	163.2	176.7	189.6	146.8	151.2	163.6	175.6	146.8	151.2	163.6	175.6							
		S/T	0.81	0.72	0.55	0.35	0.84	0.75	0.57	0.37	0.86	0.77	0.58	0.37	0.89	0.79	0.60	0.39	0.92	0.82	0.62	0.40	0.93	0.83	0.63	0.40	0.93	0.83	0.63	0.40							
		ΔT	22	20	17	11	22	20	17	12	22	20	17	12	22	21	17	12	22	20	17	12	21	19	16	11	21	19	16	11							
		HI PR	236	254	268	280	265	285	301	314	301	324	342	357	343	369	390	407	386	415	439	458	427	459	485	506	427	459	485	506							
	LO PR	103	110	120	128	109	116	127	135	114	121	132	140	119	127	138	147	125	133	145	155	129	138	150	160	129	138	150	160								
	MBh	174.2	179.3	194.1	208.3	170.1	175.1	189.6	203.5	166.1	171.0	185.1	198.6	162.0	166.8	180.5	193.8	153.9	158.5	171.5	184.1	142.6	146.8	158.9	170.5	142.6	146.8	158.9	170.5								
	S/T	0.77	0.69	0.52	0.34	0.80	0.71	0.54	0.35	0.82	0.73	0.55	0.36	0.85	0.76	0.57	0.37	0.88	0.79	0.59	0.38	0.89	0.79	0.60	0.39	0.89	0.79	0.60	0.39								
	ΔT	23	21	17	12	23	21	17	12	23	21	17	12	23	21	18	12	23	21	17	12	21	20	16	11	21	20	16	11								
	HI PR	234	252	266	277	262	282	298	311	298	321	339	354	340	366	386	403	382	411	434	453	422	454	480	501	422	454	480	501								
	LO PR	102	109	119	127	108	115	126	134	112	120	131	139	118	126	137	146	124	132	144	153	128	136	149	158	128	136	149	158								
	MBh	160.7	165.5	179.1	192.3	157.0	161.6	175.0	187.8	153.3	157.8	170.8	183.3	149.5	154.0	166.6	178.8	142.0	146.3	158.3	169.9	131.6	135.5	146.6	157.4	131.6	135.5	146.6	157.4								
	S/T	0.74	0.67	0.50	0.32	0.77	0.69	0.52	0.34	0.79	0.71	0.53	0.34	0.82	0.73	0.55	0.36	0.85	0.76	0.57	0.37	0.85	0.76	0.58	0.37	0.85	0.76	0.58	0.37								
ΔT	25	23	19	13	26	24	19	13	26	24	19	13	26	24	20	14	26	24	19	13	24	22	18	12	24	22	18	12									
HI PR	227	244	258	269	254	274	289	302	289	311	329	343	330	355	375	391	371	399	421	439	410	441	466	486	410	441	466	486									
LO PR	99	106	115	123	105	112	122	130	109	116	127	135	115	122	133	142	120	128	139	148	124	132	144	154	124	132	144	154									

IDB: Entering Indoor Dry Bulb Temperature

Shaded area reflects ACCA (TVA) conditions

High and low pressures are measured at the liquid and suction access fittings.

IDB		OUTDOOR AMBIENT TEMPERATURE																																			
		65						75						85						95						105						115					
		AIRFLOW		59	63	67	71	59	63	67	71	59	63	67	71	59	63	67	71	59	63	67	71	59	63	67	71	59	63	67	71						
80	MBh	182.6	186.5	199.3	213.1	178.3	182.2	194.7	208.1	174.1	177.9	190.0	203.1	169.8	173.5	185.4	198.2	161.3	164.9	176.1	188.3	149.4	152.7	163.2	174.4	149.4	152.7	163.2	174.4								
	S/T	0.89	0.83	0.68	0.51	0.92	0.86	0.70	0.52	0.94	0.88	0.72	0.54	1.00	0.91	0.74	0.56	1.00	0.95	0.77	0.58	1.00	0.95	0.78	0.58	1.00	0.95	0.78	0.58								
	ΔT	25	23	20	16	25	24	21	17	25	24	21	17	26	24	21	17	24	24	21	16	23	22	19	15	23	22	19	15								
	HI PR	238	257	271	283	268	288	304	317	304	328	346	361	347	373	394	411	390	420	443	462	431	464	490	511	431	464	490	511								
	LO PR	104	111	121	129	110	117	128	136	115	122	133	142	120	128	140	149	126	134	147	156	131	139	152	161	131	139	152	161								
	MBh	177.2	181.1	193.5	206.9	173.1	176.9	189.0	202.0	169.0	172.7	184.5	197.2	164.9	168.5	180.0	192.4	156.6	160.1	171.0	182.8	145.1	148.3	158.4	169.3	145.1	148.3	158.4	169.3								
	S/T	0.85	0.79	0.65	0.48	0.88	0.82	0.67	0.50	0.90	0.84	0.69	0.51	0.93	0.87	0.71	0.53	0.96	0.90	0.74	0.55	0.97	0.91	0.74	0.55	0.97	0.91	0.74	0.55								
	ΔT	26	24	21	17	26	25	22	17	26	25	22	17	26	25	22	17	26	25	21	17	24	23	20	16	24	23	20	16								
	HI PR	236	254	268	280	265	285	301	314	301	324	342	357	343	369	390	407	386	415	439	458	427	459	485	506	427	459	485	506								
	LO PR	103	110	120	128	109	116	127	135	114	121	132	140	119	127	139	148	125	133	145	155	129	138	150	160	129	138	150	160								
	MBh	163.6	167.2	178.6	190.9	159.8	163.3	174.4	186.5	156.0	159.4	170.3	182.0	152.2	155.5	166.1	177.6	144.6	147.7	157.8	168.7	133.9	136.8	146.2	156.3	133.9	136.8	146.2	156.3								
	S/T	0.82	0.76	0.62	0.47	0.85	0.79	0.65	0.48	0.87	0.81	0.66	0.49	0.89	0.84	0.68	0.51	0.93	0.87	0.71	0.53	0.94	0.88	0.71	0.53	0.94	0.88	0.71	0.53								
ΔT	28	27	24	19	29	28	24	19	29	28	24	19	29	28	24	19	29	27	24	19	27	26	22	18	27	26	22	18									
HI PR	229	246	260	271	257	277	292	305	292	315	332	346	333	358	378	395	375	403	426	444	414	445	470	490	414	445	470	490									
LO PR	100	107	116	124	106	113	123	131	110	117	128	136	116	123	134	143	121	129	141	150	125	133	146	155	125	133	146	155									
85	MBh	185.8	189.3	198.3	211.6	181.4	184.9	193.7	206.6	177.1	180.5	189.1	201.7	172.8	176.1	184.5	196.8	164.2	167.3	175.2	187.0	152.1	155.0	162.3	173.2	152.1	155.0	162.3	173.2								
	S/T	0.93	0.90	0.81	0.66	0.96	0.93	0.84	0.68	0.99	0.95	0.86	0.70	1.00	0.98	0.89	0.72	1.00	1.00	0.92	0.75	1.00	1.00	0.93	0.75	1.00	1.00	0.93	0.75								
	ΔT	26	26	24	21	26	26	25	21	26	26	25	21	26	26	25	21	25	25	24	21	23	23	23	20	23	23	23	20								
	HI PR	241	259	274	285	270	291	307	320	307	331	349	364	350	377	398	415	394	424	448	467	435	468	495	516	435	468	495	516								
	LO PR	105	112	122	130	111	119	129	138	116	123	135	143	122	129	141	150	127	136	148	158	132	140	153	163	132	140	153	163								
	MBh	180.3	183.8	192.5	205.4	176.1	179.6	188.1	200.6	172.0	175.3	183.6	195.8	167.8	171.0	179.1	191.1	159.4	162.5	170.1	181.5	147.6	150.5	157.6	168.1	147.6	150.5	157.6	168.1								
	S/T	0.89	0.86	0.77	0.63	0.92	0.89	0.80	0.65	0.94	0.91	0.82	0.67	0.97	0.94	0.85	0.69	1.00	0.97	0.88	0.71	1.00	0.98	0.89	0.72	1.00	0.98	0.89	0.72								
	ΔT	27	27	25	22	28	27	26	22	28	27	26	22	28	27	26	22	27	27	25	22	25	25	24	21	25	25	24	21								
	HI PR	238	257	271	283	268	288	304	317	304	328	346	361	347	373	394	411	390	420	443	462	431	464	490	511	431	464	490	511								
	LO PR	104	111	121	129	110	117	128	136	115	122	133	142	120	128	140	149	126	134	147	156	131	139	152	161	131	139	152	161								
	MBh	166.5	169.7	177.7	189.6	162.6	165.7	173.6	185.2	158.7	161.8	169.4	180.8	154.8	157.8	165.3	176.4	147.1	149.9	157.0	167.5	136.3	138.9	145.5	155.2	136.3	138.9	145.5	155.2								
	S/T	0.86	0.83	0.74	0.60	0.89	0.86	0.77	0.63	0.91	0.88	0.79	0.64	0.94	0.91	0.82	0.66	0.97	0.94	0.85	0.69	0.98	0.95	0.85	0.69	0.98	0.95	0.85	0.69								
ΔT	30	30	28	24	31	30	29	25	31	30	29	25	31	30	29	25	30	30	28	25	28	28	26	23	28	28	26	23									
HI PR	231	249	263	274	260	279	295	308	295	318	335	350	336	362	382	399	378	407	430	448	418	450	475	495	418	450	475	495									
LO PR	101	108	118	125	107	114	124	132	111	118	129	138	117	124	136	145	122	130	142	151	127	135	147	157	127	135	147	157									

IDB: Entering Indoor Dry Bulb Temperature

Shaded area reflects AHRI (TVSA) conditions

High and low pressures are measured at the liquid and suction access fittings.

IDB		OUTDOOR AMBIENT TEMPERATURE																																			
		65						75						85						95						105						115					
		AIRFLOW				ENTERING INDOOR WET BULB TEMPERATURE				ENTERING INDOOR WET BULB TEMPERATURE				ENTERING INDOOR WET BULB TEMPERATURE				ENTERING INDOOR WET BULB TEMPERATURE				ENTERING INDOOR WET BULB TEMPERATURE				ENTERING INDOOR WET BULB TEMPERATURE				ENTERING INDOOR WET BULB TEMPERATURE							
	59	63	67	71	59	63	67	71	59	63	67	71	59	63	67	71	59	63	67	71	59	63	67	71	59	63	67	71									
70	MBh	235.2	243.8	267.1	-	229.7	238.1	260.9	-	224.2	232.4	254.6	-	218.8	226.8	248.4	-	207.8	215.4	236.0	-	192.5	199.5	218.6	-												
	S/T	0.71	0.59	0.41	-	0.74	0.62	0.43	-	0.76	0.63	0.44	-	0.78	0.65	0.45	-	0.81	0.68	0.47	-	0.82	0.68	0.47	-												
	ΔT	20	17	13	-	20	17	13	-	20	17	13	-	20	17	13	-	20	17	13	-	18	16	12	-												
	HI PR	268	289	305	-	301	324	342	-	343	369	389	-	390	420	443	-	439	472	499	-	485	522	551	-												
	LO PR	99	105	115	-	105	111	121	-	109	116	126	-	114	121	133	-	120	127	139	-	124	132	144	-												
	MBh	228.3	236.7	259.3	-	223.0	231.2	253.3	-	217.7	225.7	247.2	-	212.4	220.1	241.2	-	201.8	209.1	229.1	-	186.9	193.7	212.3	-												
	S/T	0.68	0.57	0.39	-	0.70	0.59	0.41	-	0.72	0.60	0.42	-	0.74	0.62	0.43	-	0.77	0.65	0.45	-	0.78	0.65	0.45	-												
	ΔT	20	18	13	-	21	18	14	-	21	18	14	-	21	18	14	-	20	18	13	-	19	17	13	-												
	HI PR	266	286	302	-	298	321	339	-	339	365	385	-	386	416	439	-	435	468	494	-	480	517	546	-												
	LO PR	98	104	114	-	104	110	120	-	108	115	125	-	113	120	131	-	118	126	138	-	123	130	142	-												
	MBh	210.7	218.4	239.3	-	205.8	213.4	233.8	-	200.9	208.3	228.2	-	196.0	203.2	222.6	-	186.2	193.0	211.5	-	172.5	178.8	195.9	-												
	S/T	0.65	0.55	0.38	-	0.68	0.57	0.39	-	0.70	0.58	0.40	-	0.72	0.60	0.42	-	0.74	0.62	0.43	-	0.75	0.63	0.43	-												
	ΔT	23	20	15	-	23	20	15	-	23	20	15	-	23	20	15	-	23	20	15	-	21	18	14	-												
	HI PR	258	277	293	-	289	311	329	-	329	354	374	-	375	403	426	-	422	454	479	-	466	501	529	-												
	LO PR	95	101	110	-	100	107	117	-	104	111	121	-	110	117	127	-	115	122	133	-	119	126	138	-												
75	MBh	239.2	246.2	266.5	286.1	233.6	240.5	260.3	279.4	228.0	234.8	254.1	272.8	222.5	229.1	247.9	266.1	211.4	217.6	235.5	252.8	195.8	201.6	218.2	234.2												
	S/T	0.81	0.72	0.55	0.35	0.84	0.75	0.57	0.37	0.86	0.77	0.58	0.37	0.89	0.79	0.60	0.39	0.92	0.82	0.62	0.40	0.93	0.83	0.63	0.40												
	ΔT	23	21	17	12	23	21	17	12	23	21	17	12	23	21	17	12	23	21	17	12	21	20	16	11												
	HI PR	271	292	308	321	304	327	346	361	346	372	393	410	394	424	448	467	443	477	504	526	490	527	557	581												
	LO PR	100	106	116	124	106	112	123	131	110	117	128	136	115	123	134	143	121	129	140	150	125	133	145	155												
	MBh	232.2	239.1	258.8	277.7	226.8	233.5	252.8	271.3	221.4	228.0	246.7	264.8	216.0	222.4	240.7	258.4	205.2	211.3	228.7	245.4	190.1	195.7	211.8	227.4												
	S/T	0.77	0.69	0.52	0.34	0.80	0.71	0.54	0.35	0.82	0.73	0.55	0.36	0.85	0.76	0.57	0.37	0.88	0.79	0.59	0.38	0.89	0.79	0.60	0.39												
	ΔT	24	22	18	12	24	22	18	12	24	22	18	12	24	22	18	13	24	22	18	12	22	20	17	12												
	HI PR	269	289	305	318	301	324	342	357	343	369	389	406	390	420	444	463	439	473	499	520	485	522	551	575												
	LO PR	99	105	115	122	105	111	122	129	109	116	126	135	114	122	133	141	120	127	139	148	124	132	144	153												
	MBh	214.3	220.7	238.8	256.3	209.3	215.5	233.3	250.4	204.4	210.4	227.7	244.4	199.4	205.3	222.2	238.5	189.4	195.0	211.1	226.5	175.4	180.6	195.5	209.8												
	S/T	0.74	0.67	0.50	0.32	0.77	0.69	0.52	0.34	0.79	0.71	0.53	0.34	0.82	0.73	0.55	0.36	0.85	0.76	0.57	0.37	0.85	0.76	0.58	0.37												
	ΔT	26	24	20	14	26	24	20	14	27	24	20	14	27	25	20	14	26	24	20	14	25	23	19	13												
	HI PR	260	280	296	309	292	315	332	346	332	358	378	394	379	407	430	449	426	458	484	505	471	506	535	558												
	LO PR	96	102	112	119	101	108	118	126	105	112	123	130	111	118	129	137	116	124	135	144	120	128	139	149												

IDB: Entering Indoor Dry Bulb Temperature
 Shaded area reflects ACCA (TVA) conditions
 High and low pressures are measured at the liquid and suction access fittings.

IDB		OUTDOOR AMBIENT TEMPERATURE																																			
		65						75						85						95						105						115					
		AIRFLOW		59	63	67	71	59	63	67	71	59	63	67	71	59	63	67	71	59	63	67	71	59	63	67	71	59	63	67	71						
		ENTERING INDOOR WET BULB TEMPERATURE																																			
7875	MBh	243.4	248.7	265.7	284.1	237.8	242.9	259.6	277.5	232.1	237.2	253.4	270.9	226.4	231.4	247.2	264.3	215.1	219.8	234.8	251.0	199.3	203.6	217.5	232.5	1.00	0.95	0.78	0.58								
	S/T	0.89	0.83	0.68	0.51	0.92	0.86	0.70	0.52	0.94	0.88	0.72	0.54	1.00	0.91	0.74	0.56	1.00	0.95	0.77	0.58	2.3	2.3	2.0	1.6												
	ΔT	25	24	21	17	26	24	21	17	26	24	21	17	26	25	21	17	25	24	21	17	23	23	20	16												
	HI PR	274	295	311	325	307	331	349	364	350	376	397	414	398	428	452	472	448	482	509	531	495	533	562	587												
7000	LO PR	101	107	117	125	107	114	124	132	111	118	129	137	117	124	135	144	122	130	142	151	126	134	147	156												
	MBh	236.3	241.5	258.0	275.8	230.8	235.9	252.0	269.4	225.3	230.3	246.0	263.0	219.8	224.6	240.0	256.6	208.8	213.4	228.0	243.7	193.5	197.7	211.2	225.8												
	S/T	0.85	0.79	0.65	0.48	0.88	0.82	0.67	0.50	0.90	0.84	0.69	0.51	0.93	0.87	0.71	0.53	0.96	0.90	0.74	0.55	0.97	0.91	0.74	0.55												
	ΔT	26	25	22	17	27	25	22	18	27	25	22	18	27	26	22	18	26	25	22	18	25	24	21	16												
5600	HI PR	271	292	308	321	304	328	346	361	346	372	393	410	394	424	448	467	444	477	504	526	490	527	557	581												
	LO PR	100	106	116	124	106	112	123	131	110	117	128	136	115	123	134	143	121	129	140	150	125	133	145	155												
	MBh	218.1	222.9	238.1	254.6	213.1	217.7	232.6	248.6	208.0	212.5	227.1	242.7	202.9	207.3	221.5	236.8	192.8	197.0	210.4	225.0	178.6	182.5	194.9	208.4												
	S/T	0.82	0.76	0.62	0.47	0.85	0.79	0.65	0.48	0.87	0.81	0.66	0.49	0.89	0.84	0.68	0.51	0.93	0.87	0.71	0.53	0.94	0.88	0.71	0.53												
5600	ΔT	29	28	24	19	30	28	25	20	30	28	25	20	30	29	25	20	29	28	24	20	27	26	23	18												
	HI PR	263	283	299	312	295	318	335	350	336	361	382	398	382	412	435	453	430	463	489	510	475	512	540	563												
	LO PR	97	103	113	120	103	109	119	127	107	113	124	132	112	119	130	138	117	125	136	145	121	129	141	150												
	MBh	247.7	252.5	264.4	282.1	241.9	246.6	258.3	275.5	236.2	240.7	252.1	269.0	230.4	234.8	246.0	262.4	218.9	223.1	233.7	249.3	202.7	206.7	216.4	230.9												
7875	S/T	0.93	0.90	0.81	0.66	0.96	0.93	0.84	0.68	0.99	0.95	0.86	0.70	1.00	0.98	0.89	0.72	1.00	1.00	0.92	0.75	1.00	1.00	0.93	0.75												
	ΔT	27	26	25	22	27	27	25	22	27	27	25	22	27	27	26	22	26	26	25	22	24	24	23	20												
	HI PR	277	298	314	328	310	334	353	368	353	380	401	419	402	433	457	477	452	487	514	536	500	538	568	592												
	LO PR	102	109	119	126	108	115	125	133	112	119	130	139	118	125	137	146	123	131	143	153	128	136	148	158												
7000	MBh	240.5	245.1	256.7	273.9	234.9	239.4	250.7	267.5	229.3	233.7	244.8	261.1	223.7	228.0	238.8	254.8	212.5	216.6	226.9	242.0	196.8	200.6	210.1	224.2												
	S/T	0.89	0.86	0.77	0.63	0.92	0.89	0.80	0.65	0.94	0.91	0.82	0.67	0.97	0.94	0.85	0.69	1.00	0.97	0.88	0.71	1.00	0.98	0.89	0.72												
	ΔT	28	28	26	23	28	28	26	23	28	28	26	23	29	28	27	23	28	28	26	23	26	26	24	21												
	HI PR	274	295	311	325	307	331	349	364	350	376	397	414	398	428	452	472	448	482	509	531	495	533	562	587												
5600	LO PR	101	107	117	125	107	114	124	132	111	118	129	137	117	124	135	144	122	130	142	151	126	134	147	156												
	MBh	221.9	226.2	236.9	252.8	216.8	221.0	231.4	246.9	211.6	215.7	225.9	241.0	206.5	210.5	220.4	235.1	196.1	199.9	209.4	223.4	181.7	185.2	194.0	206.9												
	S/T	0.86	0.83	0.74	0.60	0.89	0.86	0.77	0.63	0.91	0.88	0.79	0.64	0.94	0.91	0.82	0.66	0.97	0.94	0.85	0.69	0.98	0.95	0.85	0.69												
	ΔT	31	31	29	25	32	31	29	25	32	31	29	25	32	31	30	26	31	31	29	25	29	29	27	24												
5600	HI PR	266	286	302	315	298	321	339	353	339	365	385	402	386	416	439	458	435	468	494	515	480	517	546	569												
	LO PR	98	104	114	121	104	110	120	128	108	114	125	133	113	120	131	140	118	126	138	147	123	130	142	152												

IDB: Entering Indoor Dry Bulb Temperature

Shaded area reflects AHRI (TVSA) conditions

High and low pressures are measured at the liquid and suction access fittings.

IDB		OUTDOOR AMBIENT TEMPERATURE																													
		65					75					85					95					105					115				
		59	63	67	71	75	59	63	67	71	75	59	63	67	71	75	59	63	67	71	75	59	63	67	71	75	59	63	67	71	75
AIRFLOW		ENTERING INDOOR WET BULB TEMPERATURE																													
70	MBh	284.2	294.5	322.7	-	277.6	287.7	315.2	-	271.0	280.8	307.7	-	264.3	274.0	300.2	-	251.1	260.3	285.2	-	232.6	241.1	264.2	-						
	S/T	0.67	0.56	0.39	-	0.70	0.58	0.40	-	0.72	0.60	0.41	-	0.74	0.62	0.43	-	0.77	0.64	0.44	-	0.77	0.65	0.45	-						
	ΔT	19	17	13	-	19	17	13	-	19	17	13	-	19	17	13	-	19	17	13	-	18	16	12	-						
	KW	23.34	23.81	24.52	-	25.04	25.55	26.33	-	26.54	27.09	27.93	-	27.86	28.45	29.35	-	28.99	29.61	30.55	-	29.96	30.60	31.59	-						
	HI PR	270	290	306	-	303	326	344	-	344	370	391	-	392	422	445	-	441	475	501	-	487	524	554	-						
LO PR	102	108	118	-	108	115	125	-	112	119	130	-	118	125	137	-	123	131	143	-	127	136	148	-							
70	MBh	275.9	286.0	313.3	-	269.5	279.3	306.0	-	263.1	272.7	298.7	-	256.7	266.0	291.5	-	243.8	252.7	276.9	-	225.9	234.1	256.5	-						
	S/T	0.64	0.54	0.37	-	0.67	0.56	0.38	-	0.68	0.57	0.39	-	0.70	0.59	0.41	-	0.73	0.61	0.42	-	0.74	0.62	0.43	-						
	ΔT	20	17	13	-	20	17	13	-	20	17	13	-	20	18	13	-	20	17	13	-	19	16	12	-						
	KW	23.16	23.63	24.33	-	24.85	25.36	26.13	-	26.33	26.88	27.71	-	27.64	28.23	29.11	-	28.76	29.37	30.30	-	29.72	30.36	31.33	-						
	HI PR	267	287	303	-	300	322	340	-	341	367	387	-	388	418	441	-	437	470	496	-	482	519	548	-						
LO PR	101	107	117	-	107	113	124	-	111	118	129	-	116	124	135	-	122	130	142	-	126	134	147	-							
7257	MBh	262.1	271.7	297.6	-	256.0	265.3	290.7	-	249.9	259.0	283.8	-	243.8	252.7	276.9	-	231.6	240.1	263.0	-	214.6	222.4	243.7	-						
	S/T	0.61	0.51	0.36	-	0.64	0.53	0.37	-	0.65	0.55	0.38	-	0.67	0.56	0.39	-	0.70	0.58	0.40	-	0.71	0.59	0.41	-						
	ΔT	20	18	13	-	21	18	14	-	21	18	14	-	21	18	14	-	21	18	13	-	19	17	13	-						
	KW	22.82	23.27	23.96	-	24.47	24.96	25.72	-	25.92	26.46	27.28	-	27.21	27.78	28.65	-	28.30	28.90	29.81	-	29.24	29.87	30.82	-						
	HI PR	262	282	297	-	294	316	334	-	334	359	379	-	380	409	432	-	428	460	486	-	473	509	537	-						
LO PR	99	105	115	-	105	111	121	-	109	116	126	-	114	121	133	-	120	127	139	-	124	132	144	-							
75	MBh	289.0	297.5	322.1	345.7	282.3	290.6	314.6	337.6	275.6	283.7	307.1	329.6	268.8	276.8	299.6	321.5	255.4	262.9	284.6	305.5	236.6	243.6	263.6	283.0						
	S/T	0.76	0.68	0.52	0.3	0.79	0.71	0.54	0.3	0.81	0.73	0.55	0.4	0.84	0.75	0.57	0.4	0.87	0.78	0.59	0.4	0.88	0.79	0.59	0.4						
	ΔT	22	20	17	12	22	21	17	12	22	21	17	12	23	21	17	12	22	20	17	12	21	19	16	10.8						
	KW	23.52	23.99	24.71	25.5	25.23	25.75	26.54	27.4	26.75	27.31	28.16	29.1	28.09	28.68	29.59	30.5	29.23	29.85	30.80	31.8	30.21	30.86	31.85	32.9						
	HI PR	272	293	310	322.9	306	329	347	362.3	348	374	395	412.0	396	426	450	469.3	445	479	506	528.0	492	530	559	583.3						
LO PR	103	110	120	127.4	109	116	126	134.6	113	120	131	139.9	119	126	138	147.0	125	132	145	154.0	129	137	150	159.3							
75	MBh	280.6	288.9	312.7	335.6	274.1	282.2	305.4	327.8	267.5	275.4	298.1	320.0	261.0	268.7	290.9	312.2	248.0	255.3	276.3	296.6	229.7	236.5	256.0	274.7						
	S/T	0.73	0.65	0.49	0.3	0.76	0.68	0.51	0.3	0.78	0.69	0.52	0.3	0.80	0.72	0.54	0.3	0.83	0.74	0.56	0.4	0.84	0.75	0.57	0.4						
	ΔT	23	21	17	12	23	21	18	12	23	21	18	12	23	22	18	12	23	21	17	12	22	20	16	11.2						
	KW	23.34	23.81	24.52	25.3	25.04	25.56	26.34	27.2	26.54	27.10	27.94	28.8	27.87	28.46	29.35	30.3	28.99	29.61	30.55	31.5	29.96	30.61	31.59	32.6						
	HI PR	270	290	307	319.7	303	326	344	358.7	344	370	391	408.0	392	422	446	464.7	441	475	501	522.7	487	524	554	577.6						
LO PR	102	108	118	126.1	108	115	125	133.3	112	119	130	138.5	118	125	137	145.5	123	131	143	152.5	128	136	148	157.7							
7257	MBh	266.5	274.4	297.1	318.8	260.3	268.1	290.1	311.4	254.1	261.7	283.2	304.0	248.0	255.3	276.3	296.6	235.6	242.5	262.5	281.7	218.2	224.7	243.2	261.0						
	S/T	0.70	0.63	0.47	0.3	0.72	0.65	0.49	0.3	0.74	0.66	0.50	0.3	0.77	0.69	0.52	0.3	0.80	0.71	0.54	0.3	0.80	0.72	0.54	0.3						
	ΔT	24	22	18	12	24	22	18	12	24	22	18	12	24	22	18	13	24	22	18	12	22	20	17	11.6						
	KW	22.99	23.45	24.15	24.9	24.66	25.16	25.93	26.7	26.13	26.67	27.50	28.4	27.43	28.00	28.88	29.8	28.53	29.14	30.06	31.0	29.48	30.11	31.07	32.1						
	HI PR	264	284	300	313.3	297	319	337	351.5	337	363	383	399.8	384	413	437	455.4	432	465	491	512.3	478	514	543	566.0						
LO PR	100	106	116	123.6	106	112	123	130.6	110	117	127	135.7	115	123	134	142.6	121	129	140	149.4	125	133	145	154.6							

IDB: Entering Indoor Dry Bulb Temperature
 High and low pressures are measured at the liquid and suction access fittings.
 Shaded area reflects ACCA (TVA) Rating Conditions.
 Design Subcooling, 16 - 19 °F @ the liquid access fitting connection ARI 95 test conditions. Design Superheat 8 - 12 °F @ the compressor suction access fitting connection.
 Amps: Unit amps (comp.+ evaporator + condenser fan motors)
 kW = Total system power

IDB		OUTDOOR AMBIENT TEMPERATURE																								
		65				75				85				95				105				115				
		59	63	67	71	59	63	67	71	59	63	67	71	59	63	67	71	59	63	67	71	59	63	67	71	
AIRFLOW		ENTERING INDOOR WET BULB TEMPERATURE																								
80	9202	MBh	294.1	300.6	321.1	343.3	287.3	293.6	313.6	335.3	280.4	286.6	306.2	327.3	273.6	279.6	298.7	319.3	259.9	265.6	283.8	303.3	240.8	246.0	262.9	281.0
	S/T	0.84	0.79	0.64	0.5	0.87	0.82	0.66	0.5	0.89	0.84	0.68	0.5	0.92	0.86	0.70	0.5	0.96	0.90	0.73	0.5	0.96	0.90	0.74	0.5	
	ΔT	25	24	21	16	25	24	21	17	25	24	21	17	25	24	21	17	25	24	21	17	23	22	19	15.4	
	KW	23.70	24.17	24.90	25.7	25.43	25.95	26.75	27.6	26.96	27.53	28.39	29.3	28.31	28.91	29.83	30.8	29.46	30.09	31.05	32.1	30.45	31.11	32.11	33.2	
	HI PR	275	296	313	326.1	309	332	351	366.0	351	378	399	416.2	400	430	455	474.0	450	484	511	533.3	497	535	565	589.2	
	LO PR	104	111	121	128.7	110	117	128	136.0	114	122	133	141.3	120	128	139	148.4	126	134	146	155.6	130	138	151	160.9	
80	8200	MBh	285.6	291.8	311.8	333.3	278.9	285.0	304.5	325.5	272.3	278.2	297.3	317.8	265.6	271.4	290.0	310.0	252.4	257.9	275.5	294.5	233.8	238.9	255.2	272.8
		S/T	0.80	0.75	0.61	0.5	0.83	0.78	0.63	0.5	0.85	0.80	0.65	0.5	0.88	0.82	0.67	0.5	0.91	0.85	0.70	0.5	0.92	0.86	0.70	0.5
		ΔT	26	25	21	17	26	25	22	17	26	25	22	17	26	25	22	17	26	25	21	17	24	23	20	16.0
		KW	23.52	23.99	24.71	25.5	25.24	25.75	26.54	27.4	26.75	27.31	28.16	29.1	28.09	28.69	29.59	30.5	29.23	29.85	30.80	31.8	30.21	30.86	31.85	32.9
		HI PR	272	293	310	322.9	306	329	347	362.3	348	374	395	412.1	396	426	450	469.4	446	479	506	528.0	492	530	559	583.4
		LO PR	103	110	120	127.4	109	116	126	134.6	113	120	131	139.9	119	126	138	147.0	125	132	145	154.0	129	137	150	159.3
7257	7257	MBh	271.3	277.2	296.2	316.6	265.0	270.8	289.3	309.2	258.7	264.3	282.4	301.9	252.4	257.9	275.5	294.5	239.7	245.0	261.7	279.8	222.1	226.9	242.4	259.2
		S/T	0.77	0.72	0.59	0.4	0.79	0.74	0.61	0.5	0.81	0.76	0.62	0.5	0.84	0.79	0.64	0.5	0.87	0.82	0.67	0.5	0.88	0.83	0.67	0.5
		ΔT	26	25	22	18	27	26	22	18	27	26	22	18	27	26	22	18	27	25	22	18	25	24	21	16.5
		KW	23.16	23.63	24.33	25.1	24.85	25.36	26.13	26.9	26.33	26.88	27.71	28.6	27.64	28.23	29.11	30.0	28.76	29.37	30.30	31.3	29.72	30.36	31.33	32.4
		HI PR	267	287	303	316.5	300	322	340	355.1	341	367	387	403.8	388	418	441	460.0	437	470	496	517.5	482	519	548	571.7
		LO PR	101	107	117	124.9	107	113	124	131.9	111	118	129	137.1	116	124	135	144.0	122	130	142	150.9	126	134	147	156.1

85	9202	MBh	299.3	305.1	319.5	340.9	292.3	298.0	312.1	332.9	285.3	290.9	304.6	325.0	278.4	283.8	297.2	317.1	264.5	269.6	282.3	301.2	245.0	249.7	261.5	279.0
		S/T	0.88	0.85	0.77	0.6	0.91	0.88	0.79	0.6	0.93	0.90	0.81	0.7	0.96	0.93	0.84	0.7	1.00	0.97	0.87	0.7	1.00	0.97	0.88	0.7
		ΔT	26	26	24	21	27	26	25	21	27	26	25	21	27	26	25	22	26	26	25	21	24	24	23	19.9
		KW	23.88	24.36	25.09	25.9	25.63	26.16	26.96	27.8	27.17	27.74	28.61	29.5	28.54	29.15	30.07	31.0	29.70	30.34	31.31	32.3	30.70	31.36	32.37	33.4
		HI PR	278	299	316	329.4	312	336	354	369.6	355	382	403	420.4	404	435	459	478.8	454	489	516	538.6	502	540	571	595.1
		LO PR	105	112	122	130.0	111	118	129	137.3	115	123	134	142.7	121	129	141	149.9	127	135	148	157.1	131	140	153	162.5
85	8200	MBh	290.6	296.2	310.2	330.9	283.8	289.3	303.0	323.2	277.0	282.4	295.8	315.5	270.3	275.5	288.6	307.8	256.8	261.7	274.1	292.4	237.8	242.5	253.9	270.9
		S/T	0.84	0.81	0.73	0.6	0.87	0.84	0.76	0.6	0.89	0.86	0.78	0.6	0.92	0.89	0.80	0.7	0.96	0.92	0.83	0.7	0.96	0.93	0.84	0.7
		ΔT	27	27	25	22	28	27	26	22	28	27	26	22	28	27	26	22	27	27	26	22	26	25	24	20.7
		KW	23.70	24.17	24.90	25.7	25.43	25.95	26.75	27.6	26.96	27.53	28.39	29.3	28.31	28.91	29.83	30.8	29.46	30.09	31.05	32.1	30.45	31.11	32.11	33.2
		HI PR	275	296	313	326.1	309	332	351	366.0	351	378	399	416.2	400	430	455	474.0	450	484	511	533.3	497	535	565	589.2
		LO PR	104	111	121	128.7	110	117	128	136.0	114	122	133	141.3	120	128	139	148.4	126	134	146	155.6	130	138	151	160.9
7257	7257	MBh	276.0	281.4	294.7	314.4	269.6	274.8	287.8	307.1	263.2	268.3	281.0	299.8	256.8	261.7	274.1	292.4	243.9	248.6	260.4	277.8	226.0	230.3	241.2	257.4
		S/T	0.80	0.78	0.70	0.6	0.83	0.80	0.73	0.6	0.85	0.82	0.74	0.6	0.88	0.85	0.77	0.6	0.91	0.88	0.80	0.6	0.92	0.89	0.80	0.7
		ΔT	28	28	26	23	28	28	26	23	28	28	26	23	29	28	27	23	28	28	26	23	26	26	25	21.3
		KW	23.34	23.81	24.52	25.3	25.04	25.55	26.33	27.2	26.54	27.09	27.93	28.8	27.86	28.45	29.35	30.3	28.99	29.61	30.55	31.5	29.96	30.60	31.59	32.6
		HI PR	270	290	306	319.6	303	326	344	358.6	344	370	391	407.9	392	422	445	464.6	441	475	501	522.6	487	524	554	577.5
		LO PR	102	108	118	126.1	108	115	125	133.3	112	119	130	138.5	118	125	137	145.5	123	131	143	152.5	127	136	148	157.7

IDB: Entering Indoor Dry Bulb Temperature
 High and low pressures are measured at the liquid and suction access fittings.
 Shaded area reflects ACCA (TVA) Rating Conditions.
 Design Subcooling, 16 - 19°F @ the liquid access fitting connection ARI 95 test conditions. Design Superheat 8 - 12°F @ the compressor suction access fitting connection.
 Amps: Unit amps (comp.+ evaporator + condenser fan motors)
 KW = Total system power

DCG 15 TONS — STANDARD & TWO-SPEED BELT DRIVE AT HIGH SPEED

ESP In" H ₂ O	Turns Open													
	0		1		2		3		4		5		6	
	CFM	BHP	CFM	BHP	CFM	BHP	CFM	BHP	CFM	BHP	CFM	BHP	CFM	BHP
0.2	---	---	---	---	---	---	---	0	6,827	2.6675	6,394	2.2792	5,982	1.9434
0.4	---	---	---	---	7,079	3.2019	6,623	2.7551	6,161	2.3441	5,706	1.9787	5,271	1.6650
0.6	---	---	6,903	3.3168	6,405	2.8302	5,923	2.4063	5,434	2.0191	4,949	1.6776	---	---
0.8	6,717	3.4193	6,198	2.9169	5,668	2.4546	5,152	2.0544	---	---	---	---	---	---
1.0	5,975	2.9894	5,418	2.5110	---	---	---	---	---	---	---	---	---	---
1.2	5,147	2.5507	---	---	---	---	---	---	---	---	---	---	---	---

DCG 15 TONS — HIGH-STATIC BELT DRIVE

ESP In" H ₂ O	Turns Open													
	0		1		2		3		4		5		6	
	CFM	BHP	CFM	BHP	CFM	BHP	CFM	BHP	CFM	BHP	CFM	BHP	CFM	BHP
1.0	---	---	---	---	---	---	---	---	6,690	3.6895	6,008	3.0189	5,321	2.4323
1.2	---	---	---	---	---	---	6,653	3.9517	5,922	3.2198	5,182	2.5787	---	---
1.4	---	---	---	---	6,634	2.8014	5,857	3.4408	5,056	2.7377	---	---	---	---
1.6	---	---	6,638	4.5544	5,808	2.4260	4,948	2.9127	---	---	---	---	---	---
1.8	6,683	4.9263	5,784	3.9520	4,855	2.0548	---	---	---	---	---	---	---	---
2.0	5,803	4.2723	4,788	3.3189	---	---	---	---	---	---	---	---	---	---

DCG 20 TONS — STANDARD & TWO-SPEED BELT DRIVE AT HIGH SPEED — DOWN SHOT

ESP In" H ₂ O	Turns Open													
	0		1		2		3		4		5		6	
	CFM	BHP	CFM	BHP	CFM	BHP	CFM	BHP	CFM	BHP	CFM	BHP	CFM	BHP
0.2	---	---	---	---	9,359	4.9235	8,991	3.7928	8,621	3.5442	8,188	3.2694	7,826	3.0421
0.4	---	---	9,018	3.1834	8,632	4.3858	8,251	3.3897	7,867	3.1452	7,363	2.8481	6,992	2.6282
0.6	---	---	8,279	2.9618	7,879	3.8623	7,484	2.9949	7,085	2.7548	---	---	---	---
0.8	7,957	4.8180	7,513	2.7320	7,097	3.3548	---	---	---	---	---	---	---	---
1.0	7,179	4.2309	6,716	2.4930	---	---	---	---	---	---	---	---	---	---
1.2	6,368	3.6582	---	---	---	---	---	---	---	---	---	---	---	---

NOTES

- Airflow table represent dry coil with filters installed; SCFM correction factor for wet coil is 4%.
- Any adjustment made to the blower should not cause the motor to draw more than the motor rated RLA. Application that exceed the above could require a larger motor. Minimum rated SCFM is 350 per ton.
- Unit factory shipped with the sheave set at 2.5 turns open.

DCG 20 TONS — HIGH-STATIC BELT DRIVE

ESP In" H ₂ O	Turns Open													
	0		1		2		3		4		5		6	
	CFM	BHP	CFM	BHP	CFM	BHP	CFM	BHP	CFM	BHP	CFM	BHP	CFM	BHP
1.0	---	---	---	---	---	---	9,001	6.8290	8,394	6.0087	7,797	4.7808	7,227	4.2762
1.2	---	---	---	---	8,891	6.8284	8,262	6.1503	7,632	5.3530	7,012	4.1965	---	---
1.4	---	---	8,811	6.8641	8,148	6.1510	7,495	5.4811	6,841	4.7084	---	---	---	---
1.6	---	---	8,065	6.1877	7,377	5.4834	---	---	---	---	---	---	---	---
1.8	7,998	6.8862	7,290	5.5213	---	---	---	---	---	---	---	---	---	---
2.0	7,221	6.1024	---	---	---	---	---	---	---	---	---	---	---	---

DCG 25 TONS — STANDARD STATIC & TWO-SPEED BELT DRIVE AT HIGH SPEED

Turns Open	0		1		2		3		4		5		6	
RPM	1051		1019		986		954		922		911		857	
ESP	SCFM	BHP	SCFM	BHP	SCFM	BHP	SCFM	BHP	SCFM	BHP	SCFM	BHP	SCFM	BHP
0.2	9,960	6.43	9,464	5.80	8,996	5.22	8,553	4.67	8,138	4.16	8,005	4.00	7,371	3.24
0.4	9,324	6.07	8,846	5.47	8,396	4.91	7,970	4.39	7,570	3.90	7,442	3.75	6,831	3.02
0.6	8,688	5.70	8,229	5.13	7,796	4.60	7,386	4.10	7,002	3.64	6,879	3.49	---	---
0.8	8,052	5.34	7,612	4.80	7,196	4.29	6,803	3.81	---	---	---	---	---	---
1	7,417	4.98	6,994	4.46	6,596	3.98	---	---	---	---	---	---	---	---
1.2	6,781	4.62	---	---	---	---	---	---	---	---	---	---	---	---

DCG 25 TONS — HIGH STATIC

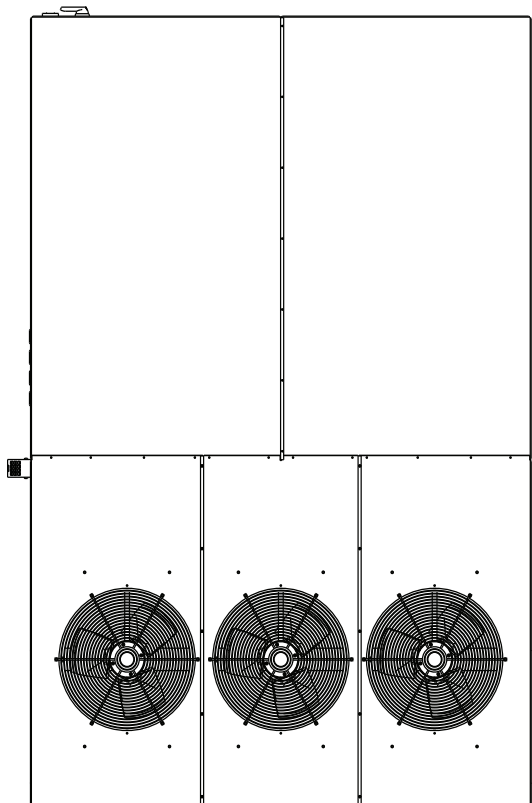
Turns Open	0		1		2		3		4		5		6	
RPM	1284		1242		1200		1162		1123		1085		1047	
ESP	SCFM	BHP	SCFM	BHP	SCFM	BHP	SCFM	BHP	SCFM	BHP	SCFM	BHP	SCFM	BHP
0.4	---	---	---	---	---	---	---	---	---	---	9,854	6.74	9,259	5.99
0.6	---	---	---	---	---	---	---	---	9,812	7.13	9,197	6.35	8,626	5.63
0.8	---	---	---	---	---	---	9,771	7.52	9,131	6.70	8,541	5.95	7,993	5.27
1	---	---	---	---	---	---	9,063	7.05	8,450	6.27	7,885	5.56	7,359	4.91
1.2	---	---	---	---	8,990	7.39	8,355	6.58	7,769	5.84	7,228	5.17	6,726	4.55
1.4	---	---	8,968	7.80	8,253	6.88	7,647	6.11	7,088	5.41	6,572	4.77	---	---
1.6	---	---	8,197	7.23	7,516	6.37	6,939	5.64	---	---	---	---	---	---
1.8	8,136	7.58	7,426	6.67	6,779	5.85	---	---	---	---	---	---	---	---
2	7,327	6.97	6,654	6.11	---	---	---	---	---	---	---	---	---	---
2.2	6,518	6.35	---	---	---	---	---	---	---	---	---	---	---	---

NOTES

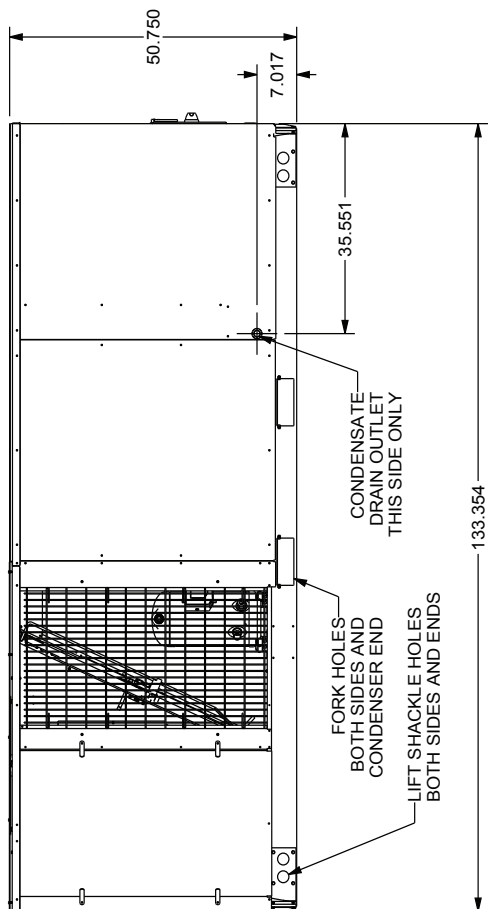
- Airflow table represent dry coil with filters installed; SCFM correction factor for wet coil is 4%.
- Any adjustment made to the blower should not cause the motor to draw more than the motor rated RLA. Application that exceed the above could require a larger motor. Minimum rated SCFM is 350 per ton.
- Unit factory shipped with the sheave set at 2.5 turns open.

AIRFLOW PRESSURE DROP OF DOWNFLOW ECONOMIZER FOR 15- TO 25-TON ROOFTOP UNITS (100% RETURN AIR)

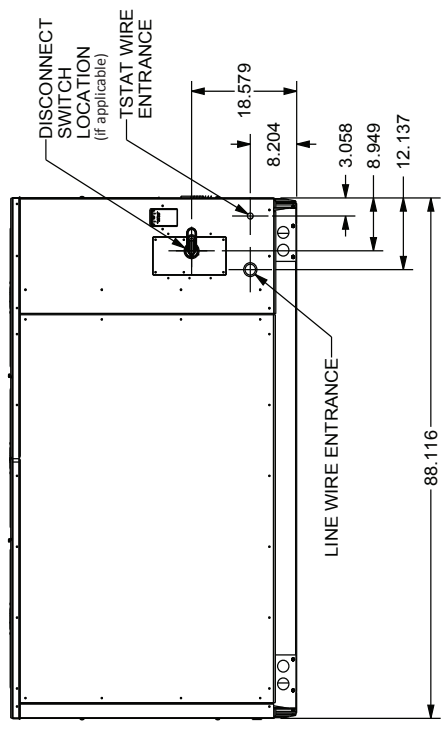
CFM	4,500	5,000	5,500	6,000	6,500	7,000	7,500	8,000	8,500	9,000	9,500	10,000
(In. WG)	0.15	0.18	0.22	0.27	0.32	0.37	0.42	0.48	0.55	0.61	0.69	0.76



TOP VIEW



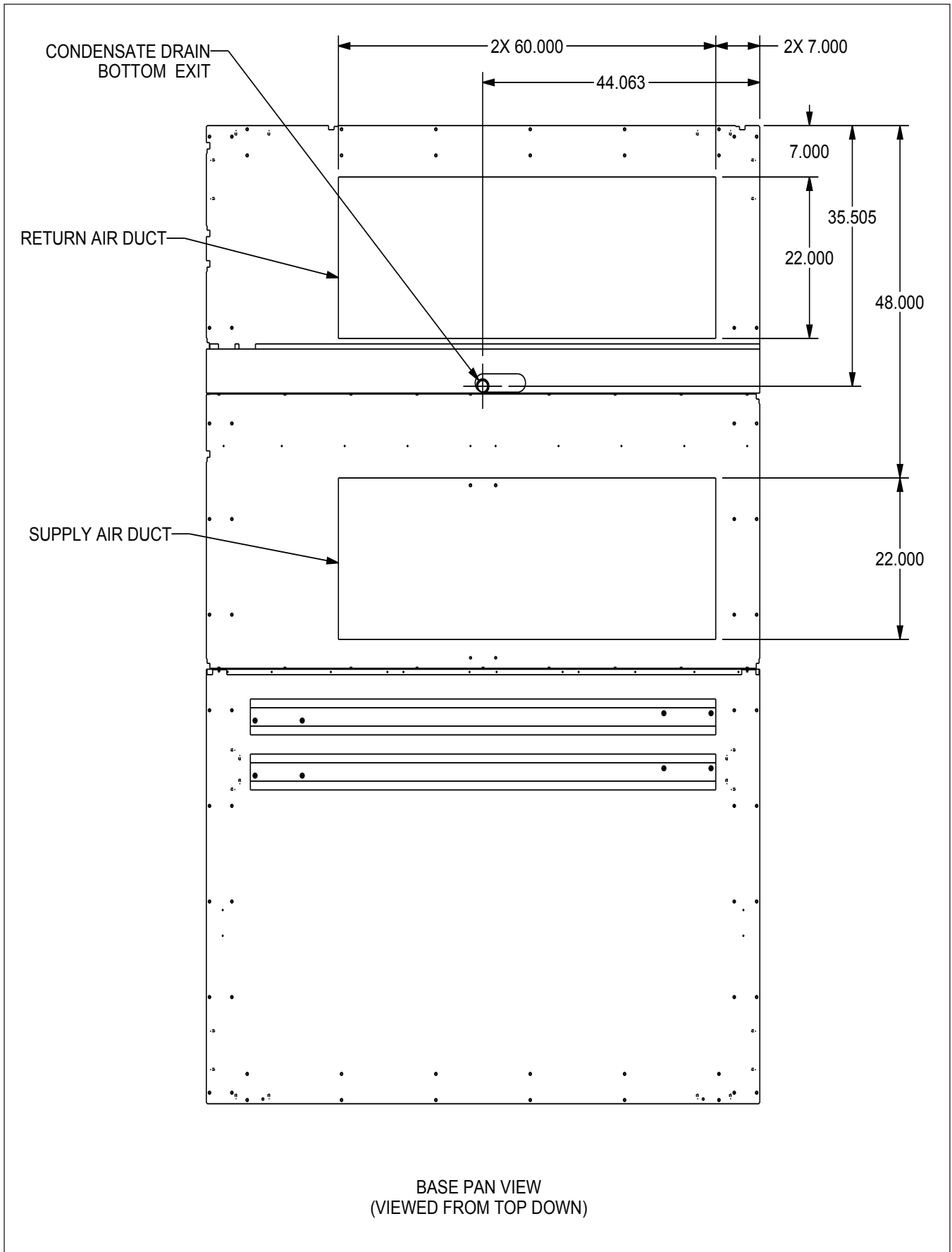
BACK VIEW

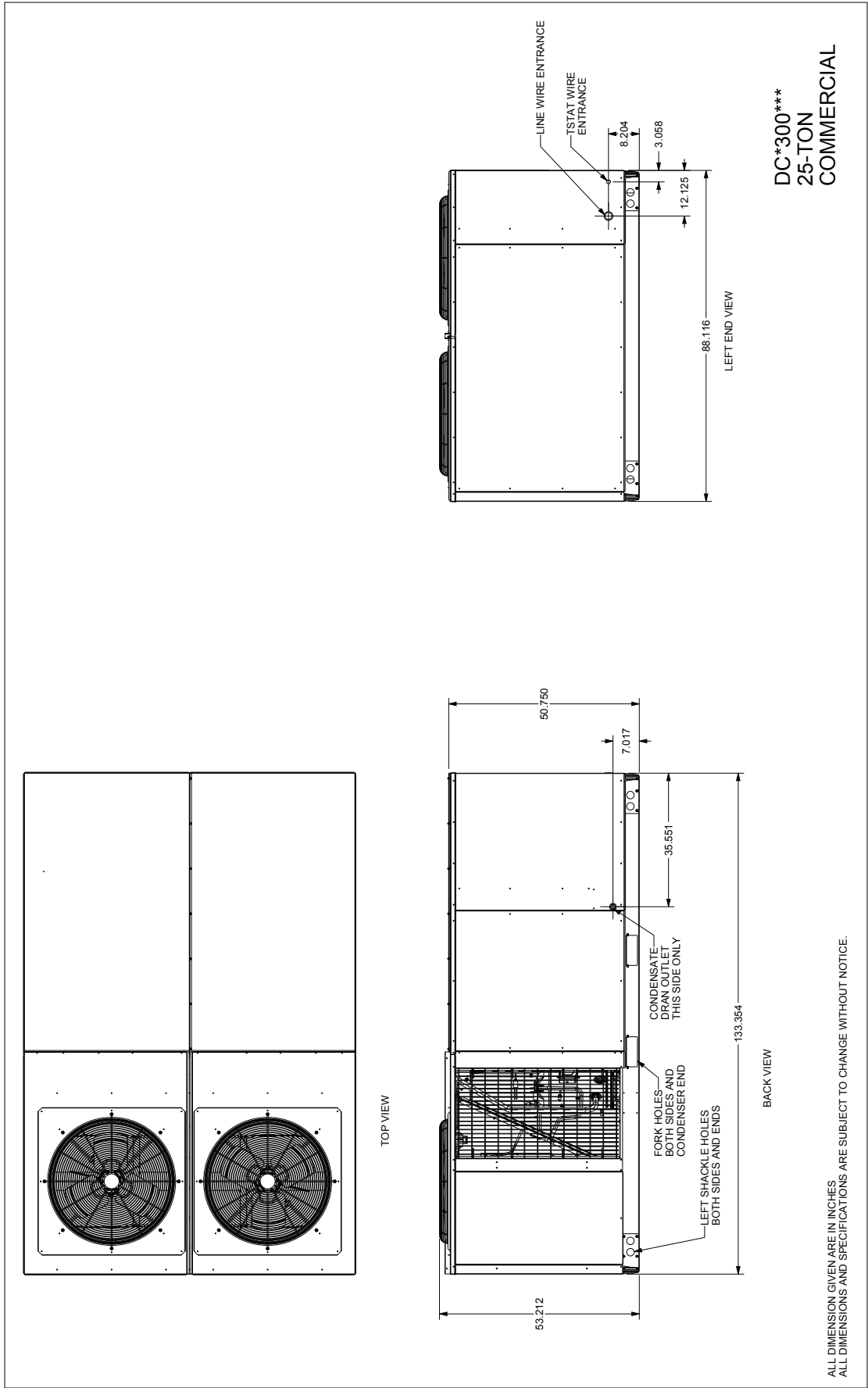


LEFT END VIEW

DC*180/240***
15 AND 20 TON COMERCIAL

ALL DIMENSIONS ARE GIVEN IN INCHES
ALL DIMENSIONS AND SPECIFICATIONS ARE SUBJECT TO CHANGE WITHOUT NOTIFICATION

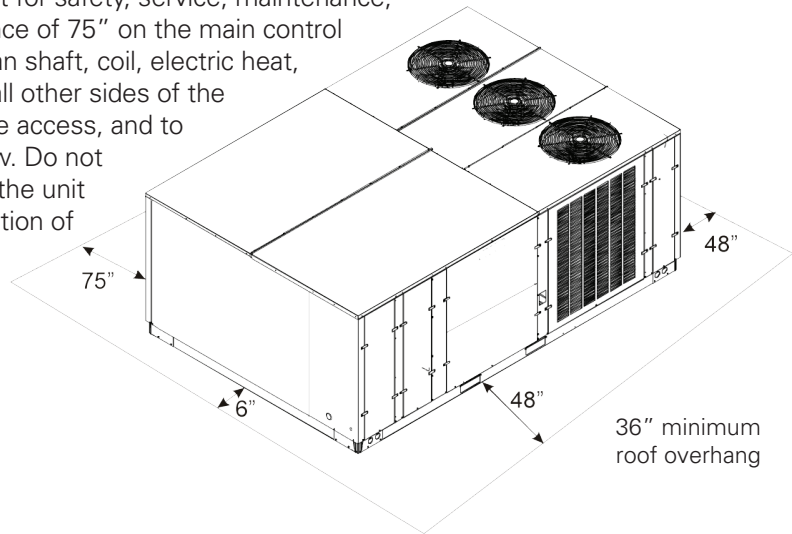




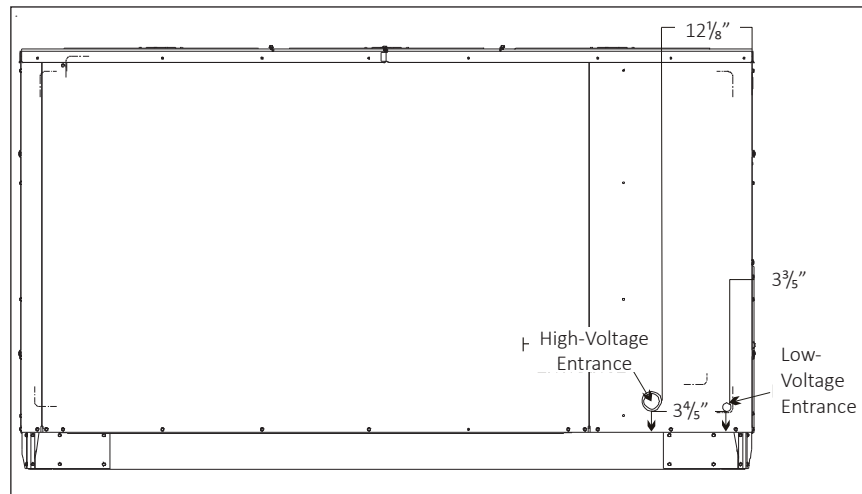
DC*300***
25-TON
COMMERCIAL

ALL DIMENSION GIVEN ARE IN INCHES
ALL DIMENSIONS AND SPECIFICATIONS ARE SUBJECT TO CHANGE WITHOUT NOTICE.

Maintain an adequate clearance around the unit for safety, service, maintenance, and proper unit operation. Leave a total clearance of 75" on the main control panel side of the unit for possible removal of fan shaft, coil, electric heat, and gas furnace. Leave a clearance of 48" on all other sides of the unit for possible compressor removal or service access, and to ensure proper ventilation and condenser airflow. Do not install the unit beneath any obstruction. Install the unit away from all building exhausts to inhibit ingestion of exhaust air into the unit's fresh-air intake.

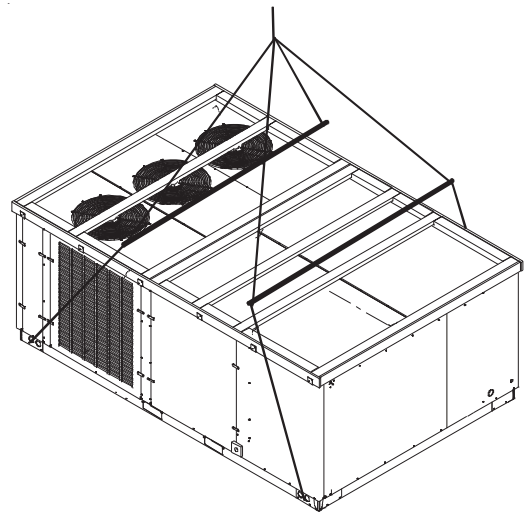


ELECTRICAL ENTRANCE LOCATIONS



Provisions for forks have been included in the unit base frame. No other fork locations are approved.

- Unit must be lifted by the four lifting holes located at the base frame corners.
- Lifting cables should be attached to the unit with shackles.
- The distance between the crane hook and the top of the unit must not be less than 60".
- Two spreader bars must span over the unit to prevent damage to the cabinet by the lift cables. Spreader bars must be of sufficient length so that cables do not come in contact with the unit during transport. Remove wood struts mounted beneath unit base frame before setting unit on roof curb. These struts are intended to protect unit base frame from fork lift damage. To remove the struts, extract the sheet metal retainers and pull the struts through the base of the unit. Refer to rigging label on the unit.



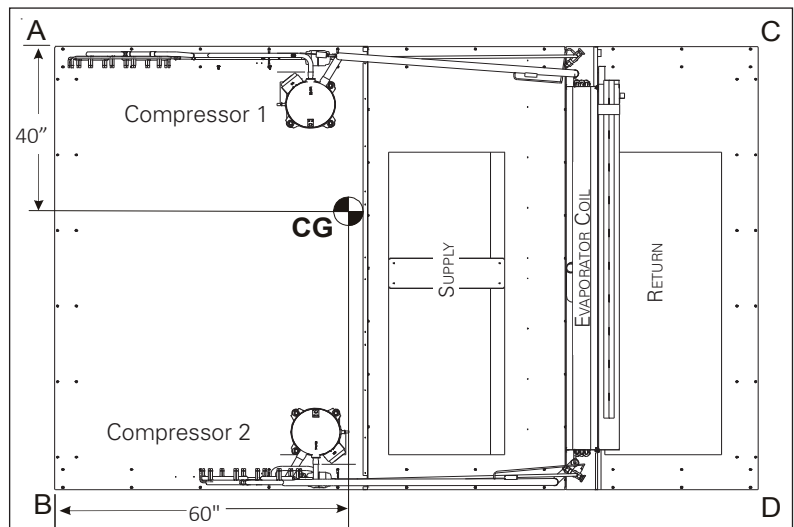
Important: If using bottom discharge with roof curb, duct-work should be attached to the curb prior to installing the unit. Duct-work dimensions are shown in Roof Curb Installation Instructions Manual.

Refer to the Roof Curb Installation Instructions for proper curb installation. Curbing must be installed in compliance with the National Roofing Contractors Association Manual.

Lower unit carefully onto roof mounting curb. While rigging the unit, the center of gravity will cause the condenser end to be lower than the supply air end.

Bring condenser end of unit into alignment with the curb. With condenser end of the unit resting on curb member and using curb as a fulcrum, lower opposite end of the unit until entire unit is seated on the curb. When a rectangular cantilever curb is used, take care to center the unit. Check for proper alignment and orientation of supply and return openings with duct.

To assist in determining rigging requirements, unit weights are shown below.



CORNER & CENTER-OF-GRAVITY LOCATIONS

15-TON UNITS	WEIGHTS (LBS.)
Weight A	582
Weight B	475
Weight C	565
Weight D	461
Shipping Weight	2198
Operating Weight	2083

20-TON UNITS	WEIGHTS (LBS.)
Weight A	645
Weight B	527
Weight C	589
Weight D	481
Shipping Weight	2357
Operating Weight	2242

25-TON UNITS	WEIGHTS (LBS.)
Weight A	627
Weight B	525
Weight C	604
Weight D	521
Shipping Weight	2513
Operating Weight	2283

Note: These weights are calculated without installed accessories.

Curb installations must comply with local codes and should follow the established guidelines of the National Roofing Contractors Association.

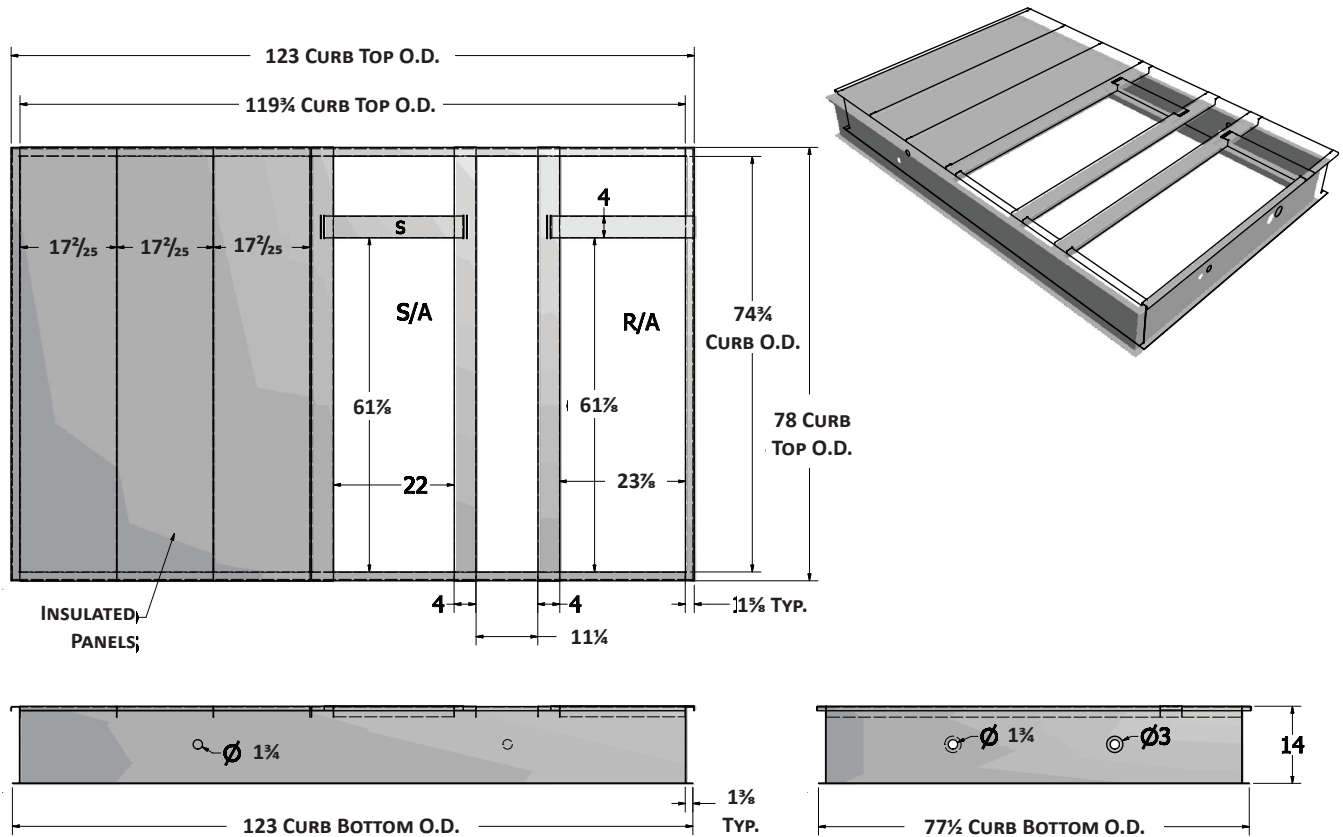
Proper unit installation requires that the roof curb be firmly and permanently attached to the roof structure. Check for adequate fastening method prior to setting the unit on the curb.

Full perimeter roof curbs are available from the factory and are shipped unassembled. The installing contractor is responsible for field assembly, squaring, leveling, and mounting on the roof structure. All required hardware necessary for the assembly of the sheet metal curb is included in the curb accessory package.

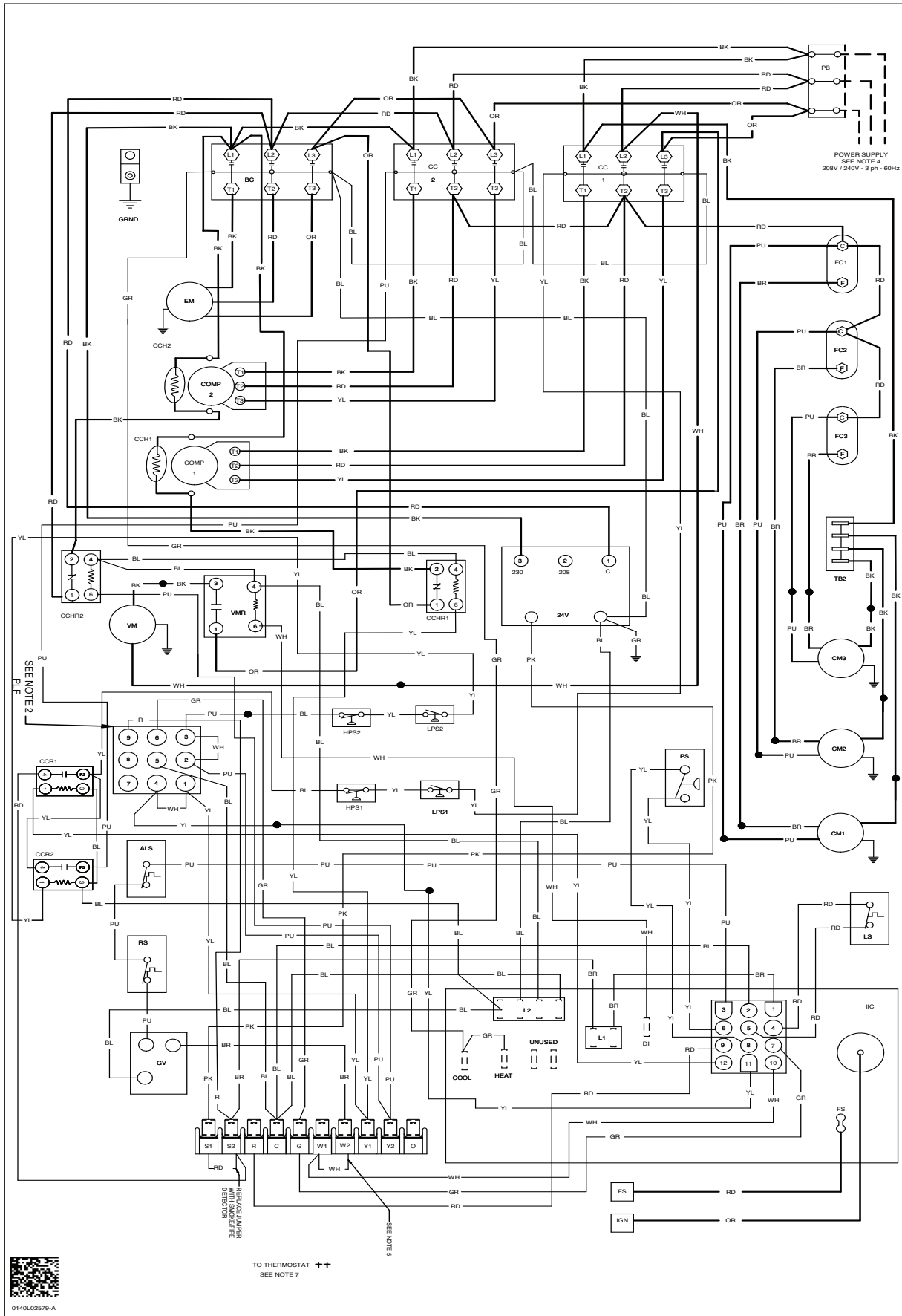
- Determine sufficient structural support before locating and mounting the curb and package unit.
- Duct-work must be constructed using industry guidelines. The duct-work must be placed into the roof curb before mounting the package unit. Our full perimeter curbs include duct connection frames to be assembled with the curb. Cantilevered-type curbs are not available from the factory.
- Contractor furnishes curb insulation, cant strips, flashing, and general roofing material.
- Support curbs on parallel sides with roof members. To prevent damage to the unit, the roof members cannot penetrate supply and return duct openings.

Note: The unit and curb accessories are designed to allow vertical duct installation before unit placement. Duct installation after unit placement is not recommended.

See the manual shipped with the roof curb for assembly and installation instructions.



WIRING DIAGRAM — DCG 15 & 20 TONS (230V THREE-PHASE BELT DRIVE)



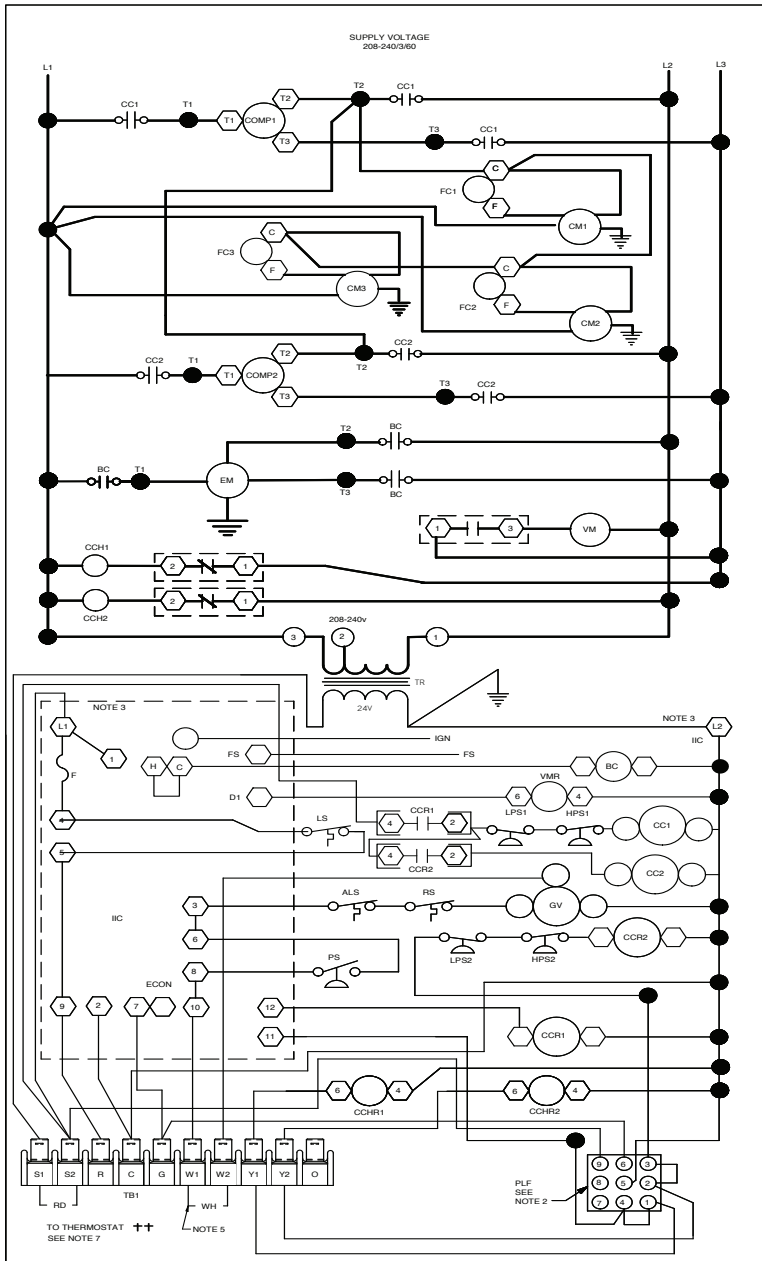
WARNING
 High Voltage: Disconnect all power before servicing or installing this unit. Multiple power sources may be present. Failure to do so may cause property damage, personal injury, or death.

Wiring is subject to change. Always refer to the wiring diagram on the unit for the most up-to-date wiring.



0140L02579-A

TO THERMOSTAT ++
 SEE NOTE 7



COMPONENT LEGEND

- ALS AUXILIARY LIMIT SWITCH
- BC BLOWER CONTACTOR
- COMP COMPRESSOR
- CM CONDENSER MOTOR
- CC COMPRESSOR CONTACTOR
- CCH CRANK CASE HEATER
- CCHR CRANK CASE HEATER RELAY
- CCR COMPRESSOR CONTACTOR RELAY
- EM EVAPORATOR MOTOR
- F FUSE
- FC FAN CAPACITOR
- FS FLAME SENSOR
- GND EQUIPMENT GROUND
- GV GAS VALVE
- HPS HIGH PRESSURE SWITCH
- IBR INDOOR BLOWER RELAY
- IIC INTEGRATED IGNITION CONTROL
- IGN IGNITOR
- LPS LOW PRESSURE SWITCH
- LS LIMIT SWITCH
- PB POWER DISTRIBUTION BLOCK
- PLF FEMALE PLUG/CONNECTOR
- PS PRESSURE SWITCH
- RS ROLLOUT SWITCH
- TB1 TERMINAL BLOCK (24V SIGNAL)
- TB2 TERMINAL BLOCK (L1)
- TR TRANSFORMER
- VM VENT MOTOR
- VMR VENT MOTOR RELAY

NOTES

1. REPLACEMENT WIRE MUST BE THE SAME SIZE AND TYPE OF INSULATION AS ORIGINAL. (USE COPPER CONDUCTOR ONLY).
2. ACCESSORY ECONOMIZER PLUG ADJACENT TO BLOWER HOUSING IN RETURN AIR COMPARTMENT. REMOVE MALE PLUG AND ATTACH FEMALE PLUG TO THE ECONOMIZER ACCESSORY.
3. L1 AND L2 ON IIC CONTROL IS 24V INPUT.
4. USE COPPER CONDUCTORS ONLY.
++ USE NEC CLASS 2 WIRE.
5. FOR TWO STAGE OPERATION REMOVE W1 TO W2 WIRE JUMPER.
6. FOR 208V OPERATION MOVE BLACK WIRE FROM TERMINAL ① TO TERMINAL ② ON THE TRANSFORMER.
7. IF DDC CONTROL OPTION IS INSTALLED, THERMOSTAT FIELD WIRING IS NOT REQUIRED. SEE DDC CONTROL WIRING DIAGRAM AND INSTRUCTIONS.

FACTORY WIRING

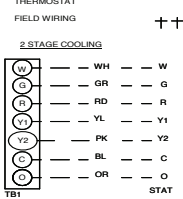
- LINE VOLTAGE
- LOW VOLTAGE
- - - OPTIONAL HIGH VOLTAGE

FIELD WIRING

- HIGH VOLTAGE
- - - LOW VOLTAGE

WIRE CODE

- BK BLACK
- BL BLUE
- BR BROWN
- GR GREEN
- OR ORANGE
- PK PINK
- PU PURPLE
- RD RED
- WH WHITE
- YL YELLOW
- YL/PK YELLOW WITH PINK STRIP
- BL/PK BLUE WITH PINK STRIP



INSTALLER/SERVICEMAN

THE STATUS LIGHT ON THE FURNACE CONTROL MAY BE USED AS A GUIDE TO TROUBLESHOOTING THIS APPLIANCE. STATUS LIGHT CODES ARE AS FOLLOWS:

STATUS LIGHT	EQUIPMENT STATUS	CHECK
ON	NORMAL OPERATION	---
OFF	NO POWER OR INTERNAL CONTROL	CHECK INPUT POWER CHECK FUSE ON CONTROL REPLACE CONTROL
1 BLINK	IGNITION FAILURE	GAS FLOW GAS PRESSURE GAS VALVE
	OPEN ROLLOUT SWITCH	FLAME SENSOR FLAME ROLLOUT
	OPEN AUX. LIMIT SWITCH	BAD SWITCH AUX. LIMIT OPEN
2 BLINKS	PRESSURE SWITCH OPEN	CHECK PRESSURE SWITCH
	PRESSURE SWITCH CLOSED WITHOUT INDUCER ON	CHECK PRESSURE SWITCH
4 BLINKS	OPEN LIMIT SWITCH	MAIN LIMIT OPEN BAD SWITCH
5 BLINKS	FALSE FLAME SENSED	STICKING GAS VALVE
6 BLINKS	COMPRESSOR OUTPUT DELAY	3 MIN. COMP. ANTI-CYCLE TIMER

SEE UNIT RATING PLATE FOR TYPE AND SIZE OF OVER CURRENT PROTECTION

High Voltage: Disconnect all power before servicing or installing this unit. Multiple power sources may be present. Failure to do so may cause property damage, personal injury, or death.

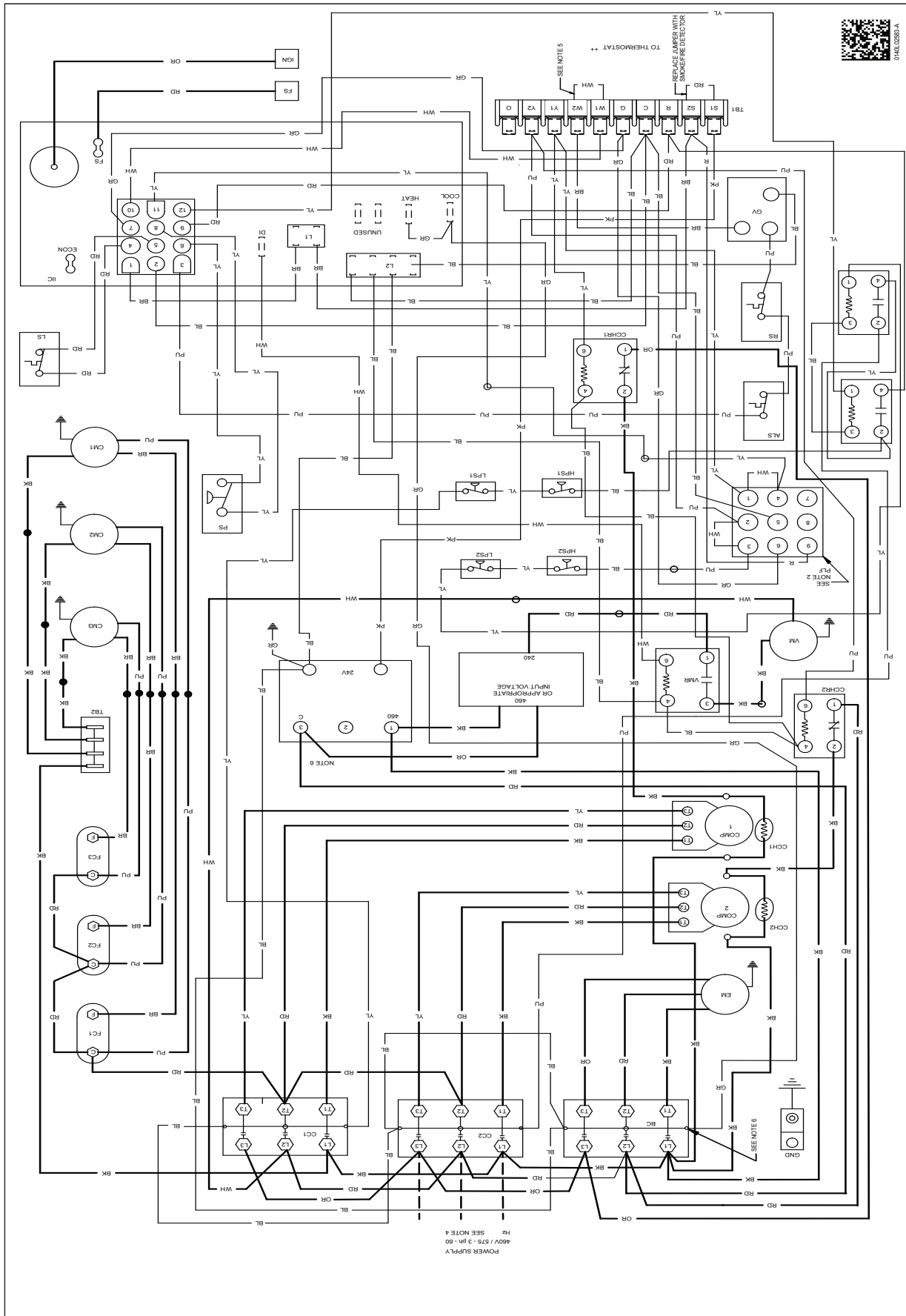
WARNING

Wiring is subject to change. Always refer to the wiring diagram on the unit for the most up-to-date wiring.



0146L02580-A

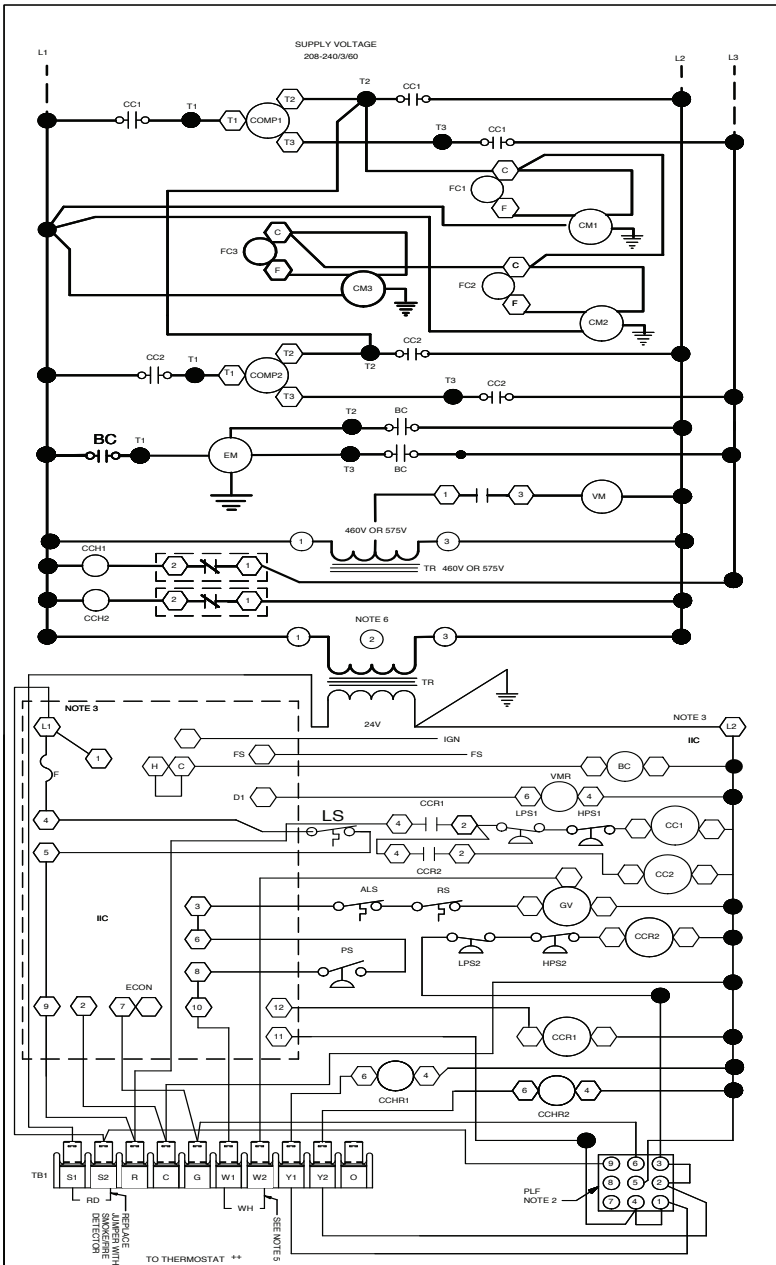
WIRING DIAGRAM — DCG 15 & 20 TONS (460V/575V THREE-PHASE BELT DRIVE)



WARNING

High Voltage: Disconnect all power before servicing or installing this unit. Multiple power sources may be present. Failure to do so may cause property damage, personal injury, or death.

Wiring is subject to change. Always refer to the wiring diagram on the unit for the most up-to-date wiring.



COMPONENT LEGEND

- ALS AUXILIARY LIMIT SWITCH
- BC BLOWER CONTACTOR
- COMP COMPRESSOR
- CM CONDENSER MOTOR
- CC COMPRESSOR CONTACTOR
- CCH CRANK CASE HEATER
- CCHR CRANK CASE HEATER RELAY
- CCR COMPRESSOR CONTACTOR RELAY
- EM EVAPORATOR MOTOR
- F FUSE
- FC FAN CAPACITOR
- FB FLAME SENSOR
- GND EQUIPMENT GROUND
- GV GAS VALVE
- HPS HIGH PRESSURE SWITCH
- IBR INDOOR BLOWER RELAY
- IIC INTEGRATED IGNITION CONTROL
- IGN IGNITOR
- LPS LOW PRESSURE SWITCH
- LS LIMIT SWITCH
- PLF FEMALE PLUG-CONNECTOR
- PS PRESSURE SWITCH
- RS ROLLOUT SWITCH
- TB1 TERMINAL BLOCK (24V SIGNAL)
- TB2 TERMINAL BLOCK (L1)
- TR TRANSFORMER
- VM VENT MOTOR
- VMR VENT MOTOR RELAY

NOTES

1. REPLACEMENT WIRE MUST BE THE SAME SIZE AND TYPE OF INSULATION AS ORIGINAL (USE COPPER CONDUCTOR ONLY).
2. ACCESSORY ECONOMIZER PLUG ADJACENT TO BLOWER HOUSING IN RETURN AIR COMPARTMENT. REMOVE MALE PLUG AND ATTACH FEMALE PLUG TO THE ECONOMIZER ACCESSORY.
3. L1 AND L2 ON IIC CONTROL IS 24V INPUT.
4. USE COPPER CONDUCTORS ONLY.
+ + USE NEC CLASS 2 WIRE.
5. FOR TWO STAGE OPERATION REMOVE W1 TO W2 WIRE JUMPER.
6. FOR 575V OPERATION MOVE BLACK WIRE FROM TERMINAL ① TO TERMINAL ② ON 460V

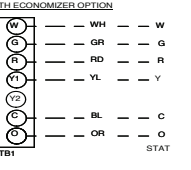
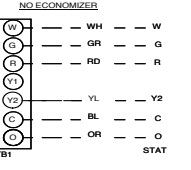
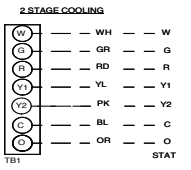
FACTORY WIRING
 ——— LINE VOLTAGE
 ——— LOW VOLTAGE

FIELD WIRING
 ——— HIGH VOLTAGE

WIRE CODE

- BK BLACK
- BL BLUE
- BR BROWN
- GR GREEN
- OR ORANGE
- PK PINK
- PU PURPLE
- RD RED
- WH WHITE
- YL YELLOW
- YL/PK YELLOW WITH PINK STRIP
- BL/PK BLUE WITH PINK STRIP

THERMOSTAT FIELD WIRING



THE STATUS LIGHT ON THE FURNACE CONTROL MAY BE USED AS A GUIDE TO TROUBLESHOOTING THIS APPLIANCE. STATUS LIGHT CODES ARE AS FOLLOWS:

STATUS LIGHT	EQUIPMENT STATUS	CHECK
ON	NORMAL OPERATION	----
OFF	NO POWER OR INTERNAL CONTROL	CHECK INPUT POWER CHECK FUSE ON CONTROL REPLACE CONTROL
1 BLINK	IGNITION FAILURE	GAS FLOW GAS PRESSURE GAS VALVE
	OPEN ROLLOUT SWITCH	FLAME SENSOR FLAME ROLLOUT SWITCH
2 BLINKS	OPEN AUX. LIMIT SWITCH	AUX. LIMIT OPEN
	PRESSURE SWITCH OPEN	CHECK PRESSURE SWITCH
3 BLINKS	PRESSURE SWITCH CLOSED	CHECK PRESSURE SWITCH
	WITHOUT INDUCER ON	CHECK PRESSURE SWITCH
4 BLINKS	OPEN LIMIT SWITCH	MAIN LIMIT OPEN BAD SWITCH
5 BLINKS	FALSE FLAME SENSED	STICKING GAS VALVE
6 BLINKS	COMPRESSOR OUTPUT DELAY	3 MIN. COMP. ANTI-CYCLE TIMER

SEE UNIT RATING PLATE FOR TYPE AND SIZE OF OVER CURRENT PROTECTION

High Voltage: Disconnect all power before servicing or installing this unit. Multiple power sources may be present. Failure to do so may cause property damage, personal injury, or death.

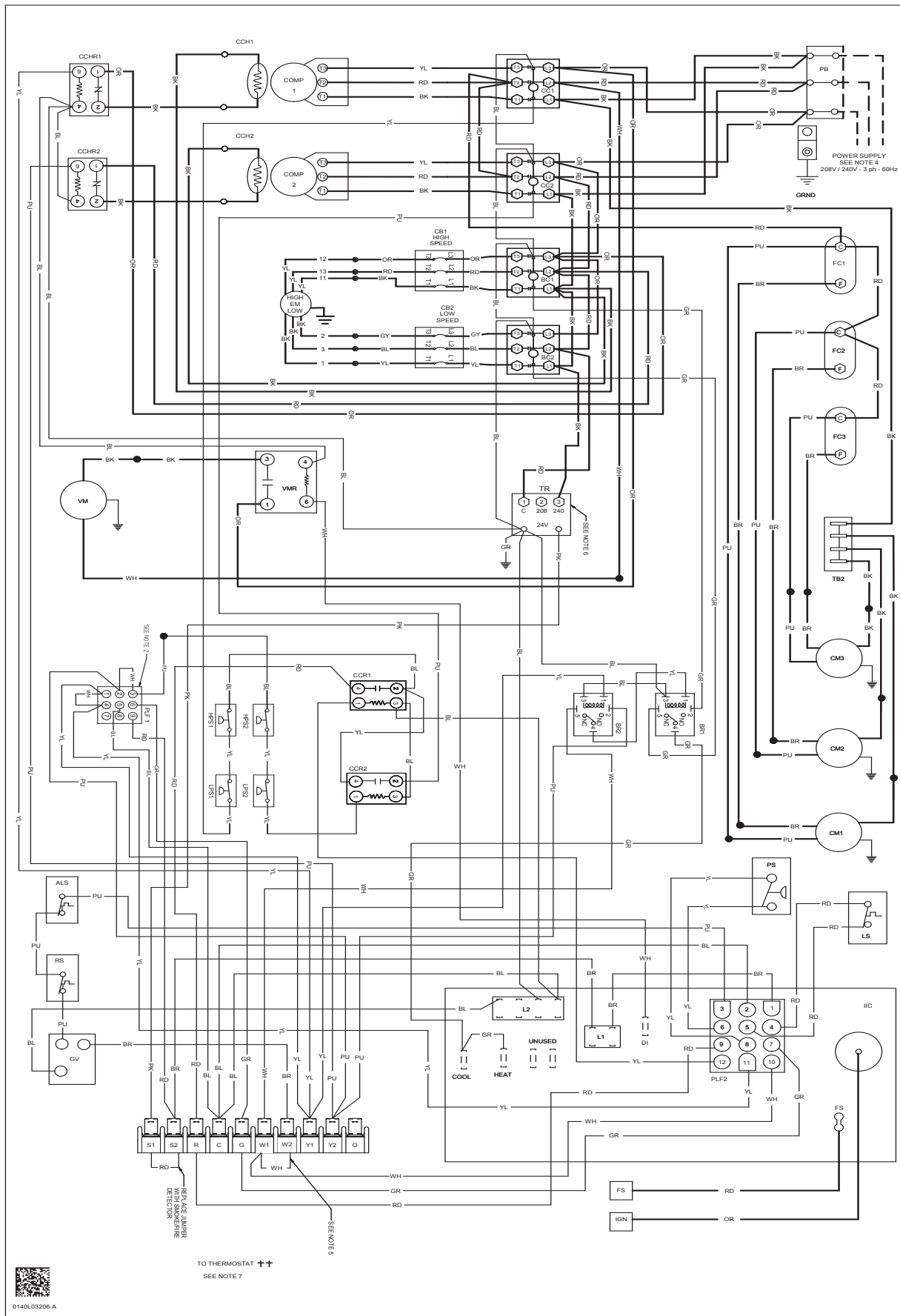
WARNING

Wiring is subject to change. Always refer to the wiring diagram on the unit for the most up-to-date wiring.



0140L02584-A

WIRING DIAGRAM — DCG 15 & 20 TONS (230V TWO-SPEED BELT DRIVE)



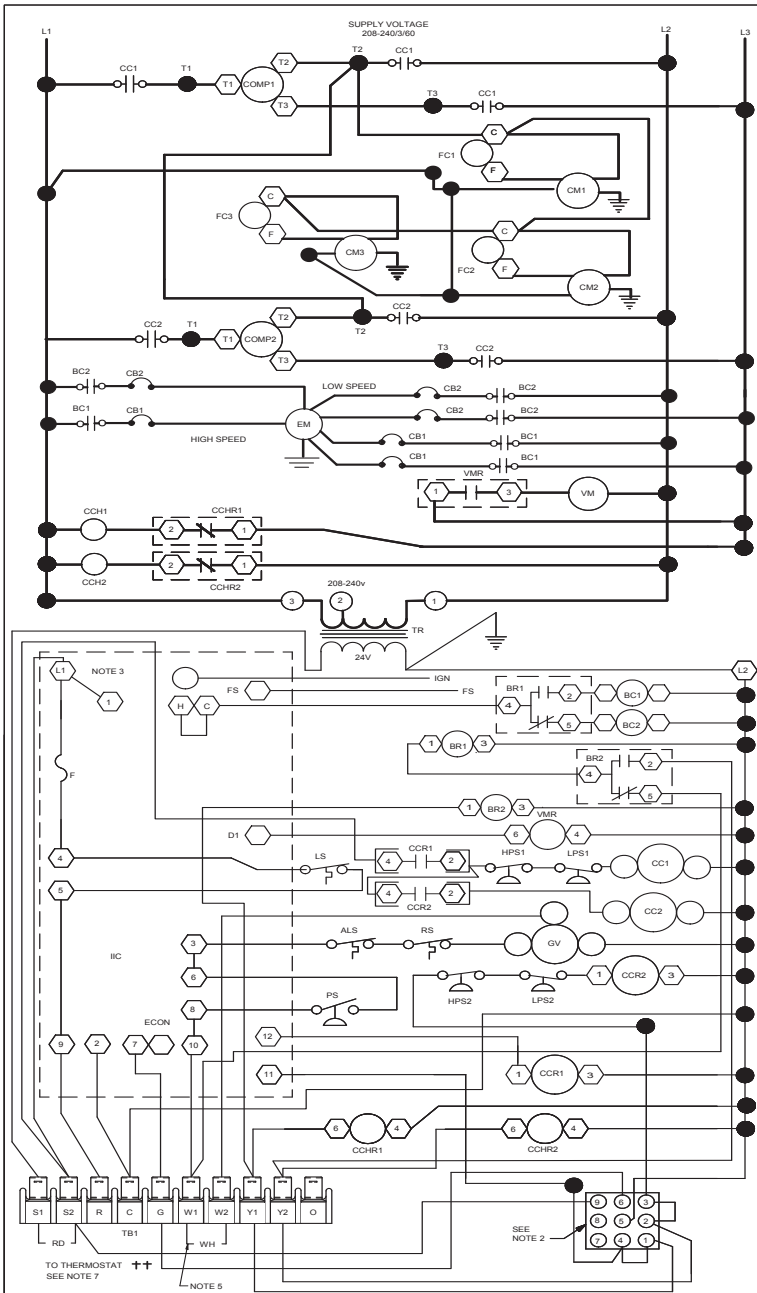
⚡

WARNING

⚠

High Voltage: Disconnect all power before servicing or installing this unit. Multiple power sources may be present. Failure to do so may cause property damage, personal injury, or death.

Wiring is subject to change. Always refer to the wiring diagram on the unit for the most up-to-date wiring.



COMPONENT LEGEND

- ALS AUXILIARY LIMIT SWITCH
- BC BLOWER CONTACTOR
- BR BLOWER RELAY
- CB CIRCUIT BREAKER
- COMP COMPRESSOR
- CM CONDENSER MOTOR
- CC COMPRESSOR CONTACTOR
- CCH CRANK CASE HEATER
- CCHR CRANK CASE HEATER RELAY
- CCR COMPRESSOR CONTACTOR RELAY
- EM EVAPORATOR MOTOR
- F FUSE
- FC FAN CAPACITOR
- FS FLAME SENSOR
- GND EQUIPMENT GROUND
- GV GAS VALVE
- HPS HIGH PRESSURE SWITCH
- IBR INDOOR BLOWER RELAY
- IIC INTEGRATED IGNITION CONTROL
- IGN IGNITOR
- LPS LOW PRESSURE SWITCH
- LS LIMIT SWITCH
- PB POWER DISTRIBUTION BLOCK
- PLF FEMALE PLUG/CONNECTOR
- PS PRESSURE SWITCH
- RS ROLLOUT SWITCH
- TB1 TERMINAL BLOCK (24V SIGNAL)
- TB2 TERMINAL BLOCK (L1)
- TR TRANSFORMER
- VM VENT MOTOR
- VMR VENT MOTOR RELAY

NOTES

1. REPLACEMENT WIRE MUST BE THE SAME SIZE AND TYPE OF INSULATION AS ORIGINAL. (USE COPPER CONDUCTOR ONLY).
2. ACCESSORY ECONOMIZER PLUG ADJACENT TO BLOWER HOUSING IN RETURN AIR COMPARTMENT. REMOVE MALE PLUG AND ATTACH FEMALE PLUG TO THE ECONOMIZER ACCESSORY.
3. L1 AND L2 ON IIC CONTROL IS 24V INPUT.
4. USE COPPER CONDUCTORS ONLY.
+ + USE NEC CLASS 2 WIRE.
5. FOR TWO STAGE OPERATION REMOVE W1 TO W2 WIRE JUMPER.
6. FOR 208V OPERATION MOVE BLACK WIRE FROM TERMINAL ① TO TERMINAL ② ON THE TRANSFORMER.

FACTORY WIRING

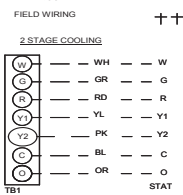
- LINE VOLTAGE
- LOW VOLTAGE
- - - OPTIONAL HIGH VOLTAGE

FIELD WIRING

- HIGH VOLTAGE
- - - LOW VOLTAGE

WIRE CODE

- BK BLACK
- BL BLUE
- BR BROWN
- GR GREEN
- OR ORANGE
- PK PINK
- PU PURPLE
- RD RED
- WH WHITE
- YL YELLOW
- YL/PK YELLOW WITH PINK STRIP
- BL/PK BLUE WITH PINK STRIP



THE STATUS LIGHT ON THE FURNACE CONTROL MAY BE USED AS A GUIDE TO TROUBLESHOOTING THIS APPLIANCE. STATUS LIGHT CODES ARE AS FOLLOWS:

STATUS LIGHT	EQUIPMENT STATUS	CHECK
ON	NORMAL OPERATION	---
OFF	NO POWER OR INTERNAL CONTROL	CHECK INPUT POWER CHECK FUSE ON CONTROL REPLACE CONTROL
1 BLINK	IGNITION FAILURE OPEN ROLLOUT SWITCH OPEN AUX. LIMIT SWITCH	GAS FLOW GAS PRESSURE GAS VALVE FLAME SENSOR FLAME ROLLOUT BAD SWITCH AUX. LIMIT OPEN
2 BLINKS	PRESSURE SWITCH OPEN PRESSURE SWITCH CLOSED	CHECK PRESSURE SWITCH CHECK PRESSURE SWITCH
3 BLINKS	WITHOUT INDUCER ON	CHECK PRESSURE SWITCH
4 BLINKS	OPEN LIMIT SWITCH	MAIN LIMIT OPEN BAD SWITCH
5 BLINKS	FALSE FLAME SENSED	STICKING GAS VALVE
6 BLINKS	COMPRESSOR OUTPUT DELAY	3 MIN. COMP. ANTI-CYCLE TIMER

SEE UNIT RATING PLATE FOR TYPE AND SIZE OF OVER CURRENT PROTECTION

High Voltage: Disconnect all power before servicing or installing this unit. Multiple power sources may be present. Failure to do so may cause property damage, personal injury, or death.

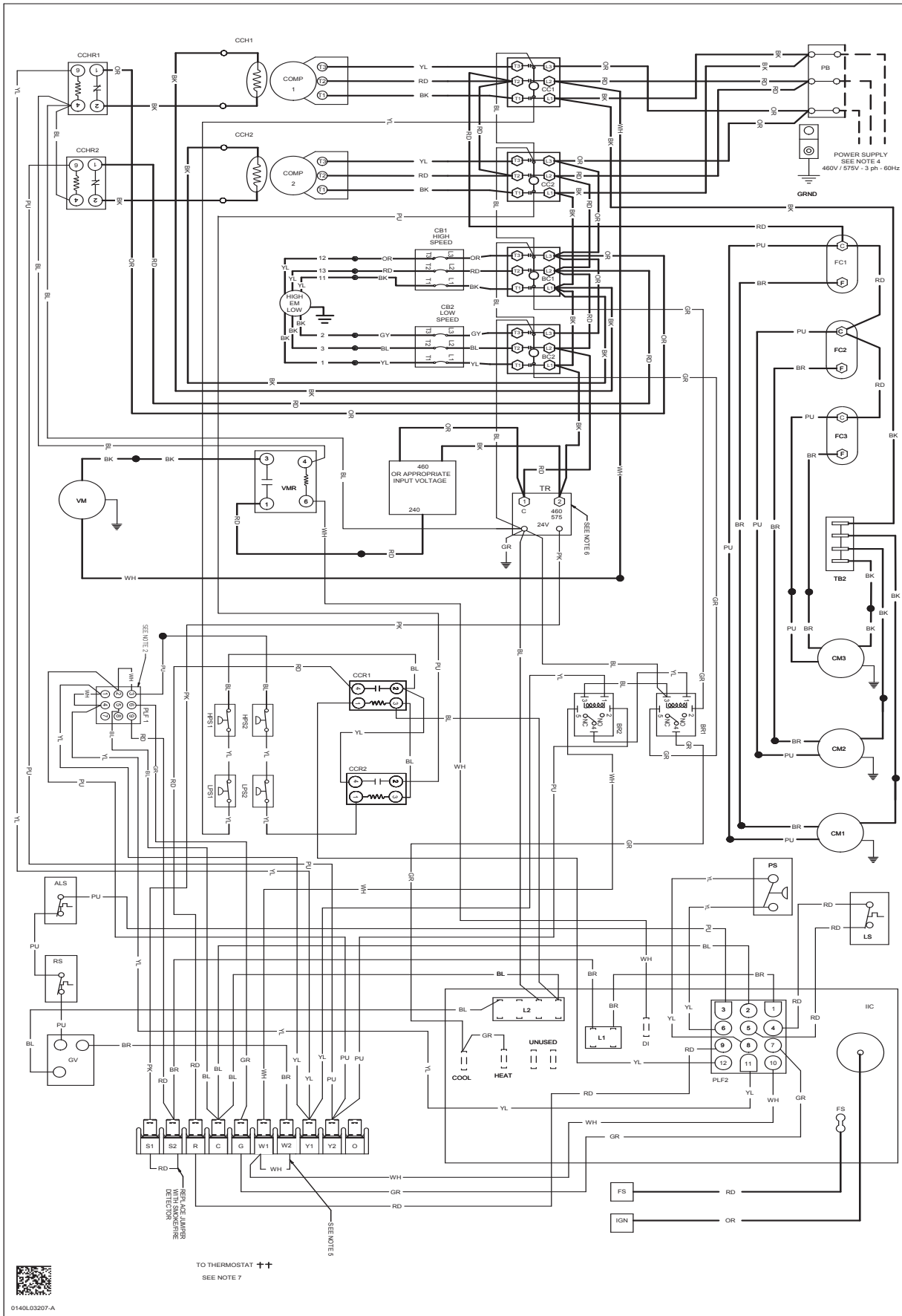
WARNING

Wiring is subject to change. Always refer to the wiring diagram on the unit for the most up-to-date wiring.



0146L02914-A

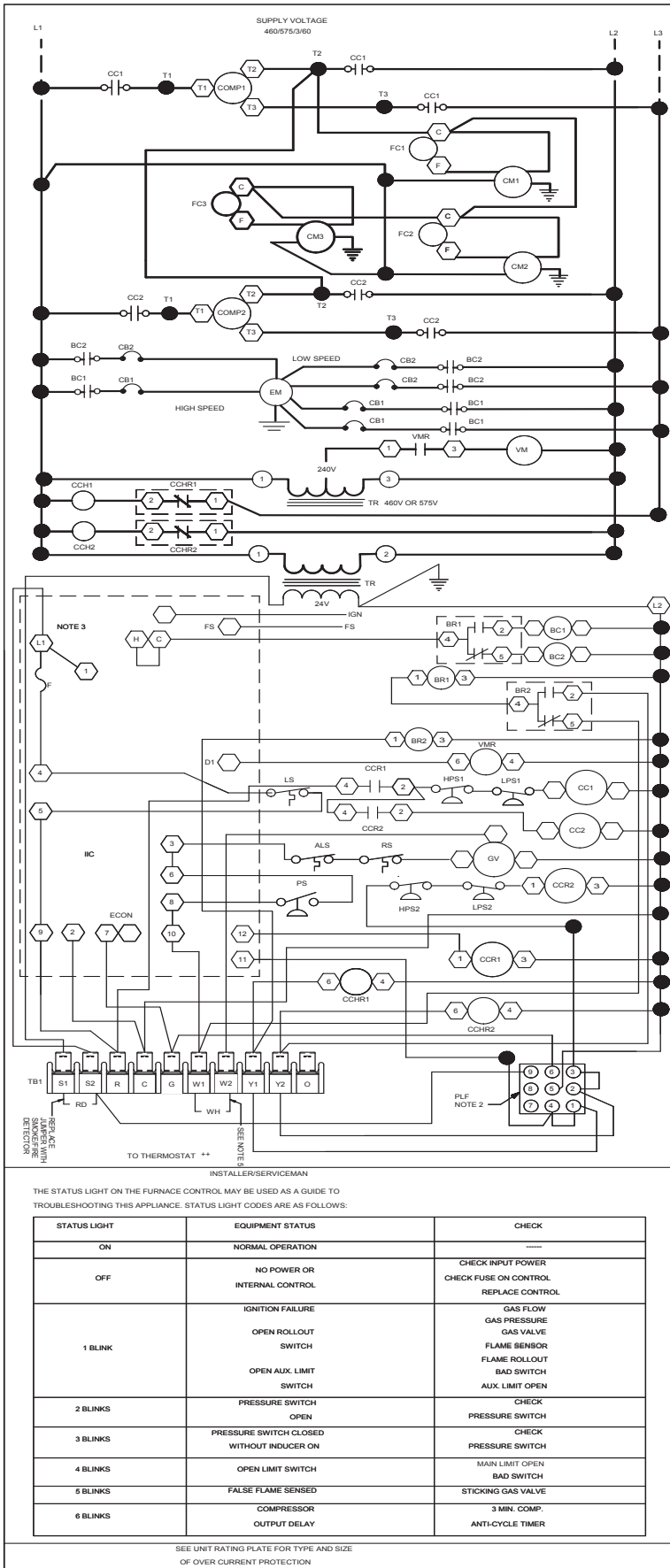
WIRING DIAGRAM — DCG 15 & 20 TONS (460V/ 575V TWO-SPEED BELT DRIVE)



WARNING

High Voltage: Disconnect all power before servicing or installing this unit. Multiple power sources may be present. Failure to do so may cause property damage, personal injury, or death.

Wiring is subject to change. Always refer to the wiring diagram on the unit for the most up-to-date wiring.



COMPONENT LEGEND

- ALS AUXILIARY LIMIT SWITCH
- BC BLOWER CONTACTOR
- BR BLOWER RELAY
- COMP COMPRESSOR
- CM CONDENSER MOTOR
- CC COMPRESSOR CONTACTOR
- CCH CRANK CASE HEATER
- CCHR CRANK CASE HEATER RELAY
- CCR COMPRESSOR CONTACTOR RELAY
- EM EVAPORATOR MOTOR
- F FUSE
- FC FAN CAPACITOR
- FS FLAME SENSOR
- GND EQUIPMENT GROUND
- GV GAS VALVE
- HPS HIGH PRESSURE SWITCH
- IBR INDOOR BLOWER RELAY
- IIC INTEGRATED IGNITION CONTROL
- IGN IGNITOR
- LPS LOW PRESSURE SWITCH
- LS LIMIT SWITCH
- PLF FEMALE PLUG/CONNECTOR
- PS PRESSURE SWITCH
- RS ROLLOUT SWITCH
- TB1 TERMINAL BLOCK (24V SIGNAL)
- TB2 TERMINAL BLOCK (L1)
- TR TRANSFORMER
- VM VENT MOTOR
- VMR VENT MOTOR RELAY

NOTES

1. REPLACEMENT WIRE MUST BE THE SAME SIZE AND TYPE OF INSULATION AS ORIGINAL. (USE COPPER CONDUCTOR ONLY).
2. ACCESSORY ECONOMIZER PLUG ADJACENT TO BLOWER HOUSING IN RETURN AIR COMPARTMENT. REMOVE MALE PLUG AND ATTACH FEMALE PLUG TO THE ECONOMIZER ACCESSORY.
3. L1 AND L2 ON IIC CONTROL IS 24V INPUT.
4. USE COPPER CONDUCTORS ONLY.
++ USE NEC CLASS 2 WIRE.
5. FOR TWO STAGE OPERATION REMOVE W1 TO W2 WIRE JUMPER.

FACTORY WIRING

- LINE VOLTAGE
- LOW VOLTAGE

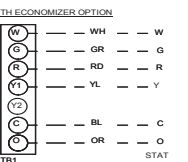
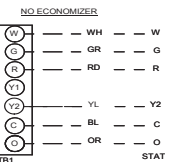
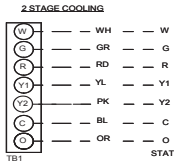
FIELD WIRING

- HIGH VOLTAGE

WIRE CODE

- BK BLACK
- BL BLUE
- BR BROWN
- GR GREEN
- OR ORANGE
- PK PINK
- PU PURPLE
- RD RED
- WH WHITE
- YL YELLOW
- YLPK YELLOW WITH PINK STRIP
- BLPK BLUE WITH PINK STRIP

THERMOSTAT FIELD WIRING



0140L02916-A

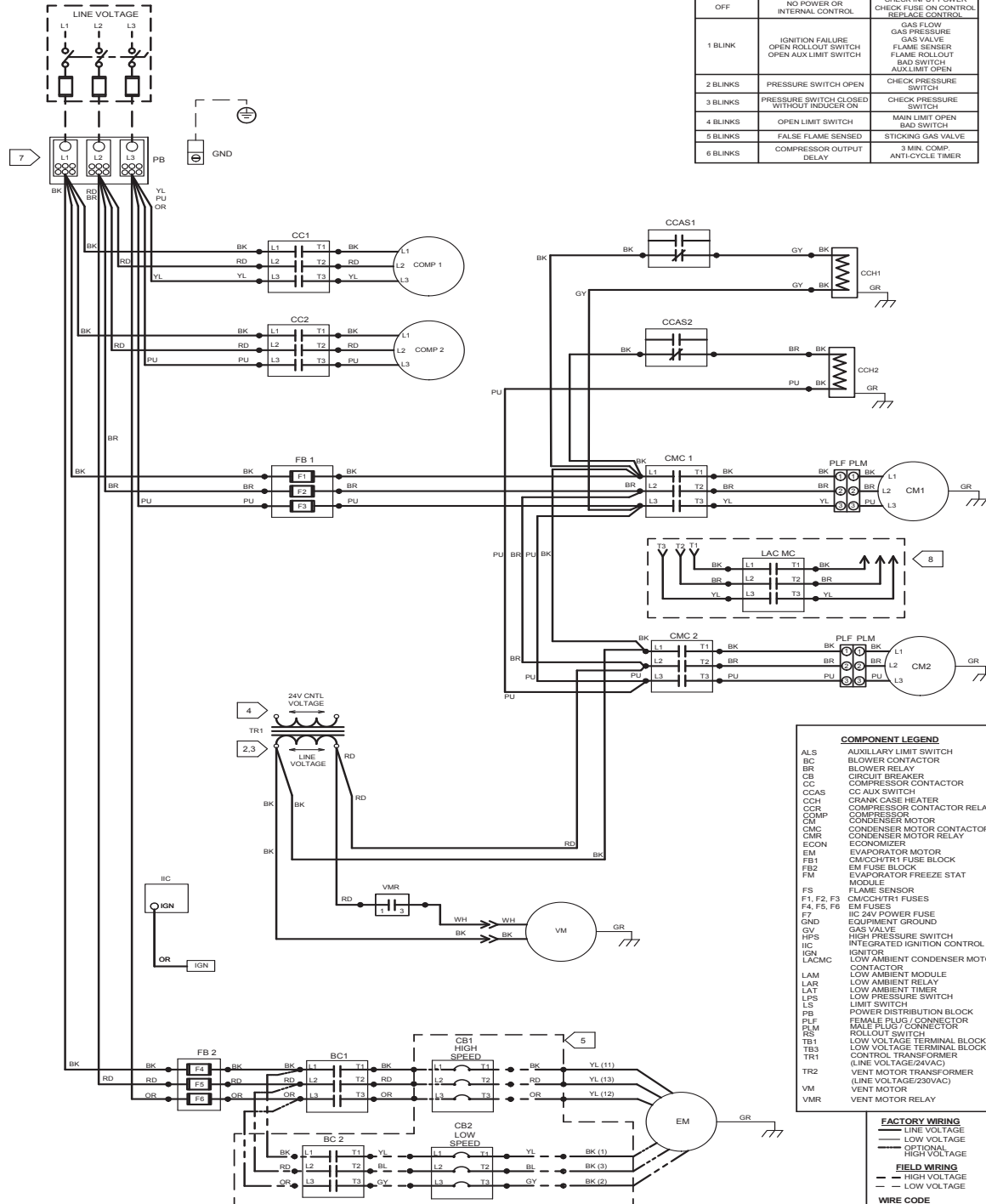
High Voltage: Disconnect all power before servicing or installing this unit. Multiple power sources may be present. Failure to do so may cause property damage, personal injury, or death.



Wiring is subject to change. Always refer to the wiring diagram on the unit for the most up-to-date wiring.

POWER DIAGRAM
DCG300***3

I/C DIAGNOSTIC BLINK CODES		
STATUS LIGHT	EQUIPMENT STATUS	CHECK
ON	NORMAL OPERATION	
OFF	NO POWER OR INTERNAL CONTROL	CHECK INPUT POWER CHECK FUSE ON CONTROL REPLACE CONTROL
1 BLINK	IGNITION FAILURE OPEN ROLL-OUT SWITCH OPEN AUX LIMIT SWITCH	GAS FLOW GAS PRESSURE GAS VALVE FLAME SENSER FLAME ROLL-OUT BAD SWITCH AUX LIMIT OPEN
2 BLINKS	PRESSURE SWITCH OPEN	CHECK PRESSURE SWITCH
3 BLINKS	PRESSURE SWITCH CLOSED WITHOUT INDUCER ON	CHECK PRESSURE SWITCH
4 BLINKS	OPEN LIMIT SWITCH	MAIN LIMIT OPEN
5 BLINKS	FALSE FLAME SENSED	STICKING GAS VALVE
6 BLINKS	COMPRESSOR OUTPUT DELAY	3 MIN. COMP ANTI-CYCLE TIMER



COMPONENT LEGEND	
ALS	AUXILIARY LIMIT SWITCH
BC	BLOWER CONTACTOR
BR	BLOWER RELAY
CB	CIRCUIT BREAKER
CC	COMPRESSOR CONTACTOR
CCAS	CC AUX SWITCH
CCAS1	CRANK CASE HEATER
CCR	COMPRESSOR CONTACTOR RELAY
COMP	COMPRESSOR
CM	COMPRESSOR MOTOR
CMC	CONDENSER MOTOR CONTACTOR
CMR	CONDENSER MOTOR RELAY
ECON	ECONOMIZER
EM	EVAPORATOR MOTOR
EM	CM/CCH/TR1 FUSE BLOCK
FB1	EM FUSE BLOCK
FB2	EVAPORATOR FREEZE STAT
FM	MODULE
FS	FLAME SENSER
F1, F2, F3	CM/CCH/TR1 FUSES
F4, F5, F6	EM FUSES
F7	I/C 24V POWER FUSE
GV	GAS VALVE
HPS	HIGH PRESSURE SWITCH
IGN	INTEGRATED IGNITION CONTROL
IGN	IGNITOR
LACMC	LOW AMBIENT CONDENSER MOTOR CONTACTOR
LAM	LOW AMBIENT MODULE
LAR	LOW AMBIENT RELAY
LAT	LOW AMBIENT TIMER
LPS	LOW PRESSURE SWITCH
LS	LIMIT SWITCH
PL	POWER DISTRIBUTION BLOCK
PLM	FEMALE PLUG / CONNECTOR
PLF	MALE PLUG / CONNECTOR
RS	ROLL-OUT SWITCH
TB1	LOW VOLTAGE TERMINAL BLOCK 1
TB3	LOW VOLTAGE TERMINAL BLOCK 3
TR1	CONTROL TRANSFORMER (LINE VOLTAGE/24VAC)
TR2	VENT MOTOR TRANSFORMER (LINE VOLTAGE/230VAC)
VM	VENT MOTOR
VMR	VENT MOTOR RELAY

FACTORY WIRING	
—	LINE VOLTAGE
—	LOW VOLTAGE
—	OPTIONAL HIGH VOLTAGE
—	FIELD WIRING
—	HIGH VOLTAGE
—	LOW VOLTAGE

WIRE CODE	
BK	BLACK
BL	BLUE
BR	BROWN
GR	GREEN
GY	GRAY
OR	ORANGE
PK	PINK
PU	PURPLE
RD	RED
WH	WHITE
YL	YELLOW

- NOTES:
- REPLACEMENT WIRE MUST BE SAME SIZE AND TYPE OF INSULATION AS ORIGINAL (USE COPPER CONDUCTORS ONLY).
 - THE CONTROL TRANSFORMER HAS MULTIPLE HIGH VOLTAGE TAPS. ENSURE WIRE CONNECTIONS ARE CORRECT FOR UNIT SUPPLY VOLTAGE RATING.
 - 208/230V SUPPLY POWER UNITS ARE FACTORY CONNECTED TO THE CONTROL TRANSFORMER 240V TAP. MOVE WIRE CONNECTION FROM 240V TAP TO 208V TAP WHEN 208V POWER SUPPLY IS USED.
 - SEE CONTROL DIAGRAM FOR CONTROL TRANSFORMER LOW VOLTAGE CONNECTIONS.
 - OPTIONAL, CB1, CB2, BC2 AND ASSOCIATED WIRING IS PRESENT ONLY WITH 2-SPEED EVAPORATOR MOTOR.
 - USE COPPER CONDUCTORS ONLY. UNIT TERMINALS ARE NOT DESIGNED FOR OTHER CONDUCTORS. THE USE OF OTHER TYPE CONDUCTORS MAY CAUSE DAMAGE TO THE UNIT.
 - SEE ACCESSORY KIT LITERATURE FOR OPTIONAL CONVENIENCE OUTLET WIRING DIAGRAM.
 - IF LOW AMBIENT KIT INSTALLED, DISCONNECT CONDENSER MOTOR WIRES (BK, BR, YL) FROM CMC1 (T1, T2, T3) AND CONNECT TO CORRESPONDING BK, BR, YL WIRES ON LOW AMBIENT HARNESS (INSULATED MALE QUICK CONNECT). ALSO CONNECT LOW AMBIENT HARNESS WIRES (BK, BR, YL) (INSULATED FEMALE QUICK CONNECT) TO T1, T2, T3 ON CMC1.



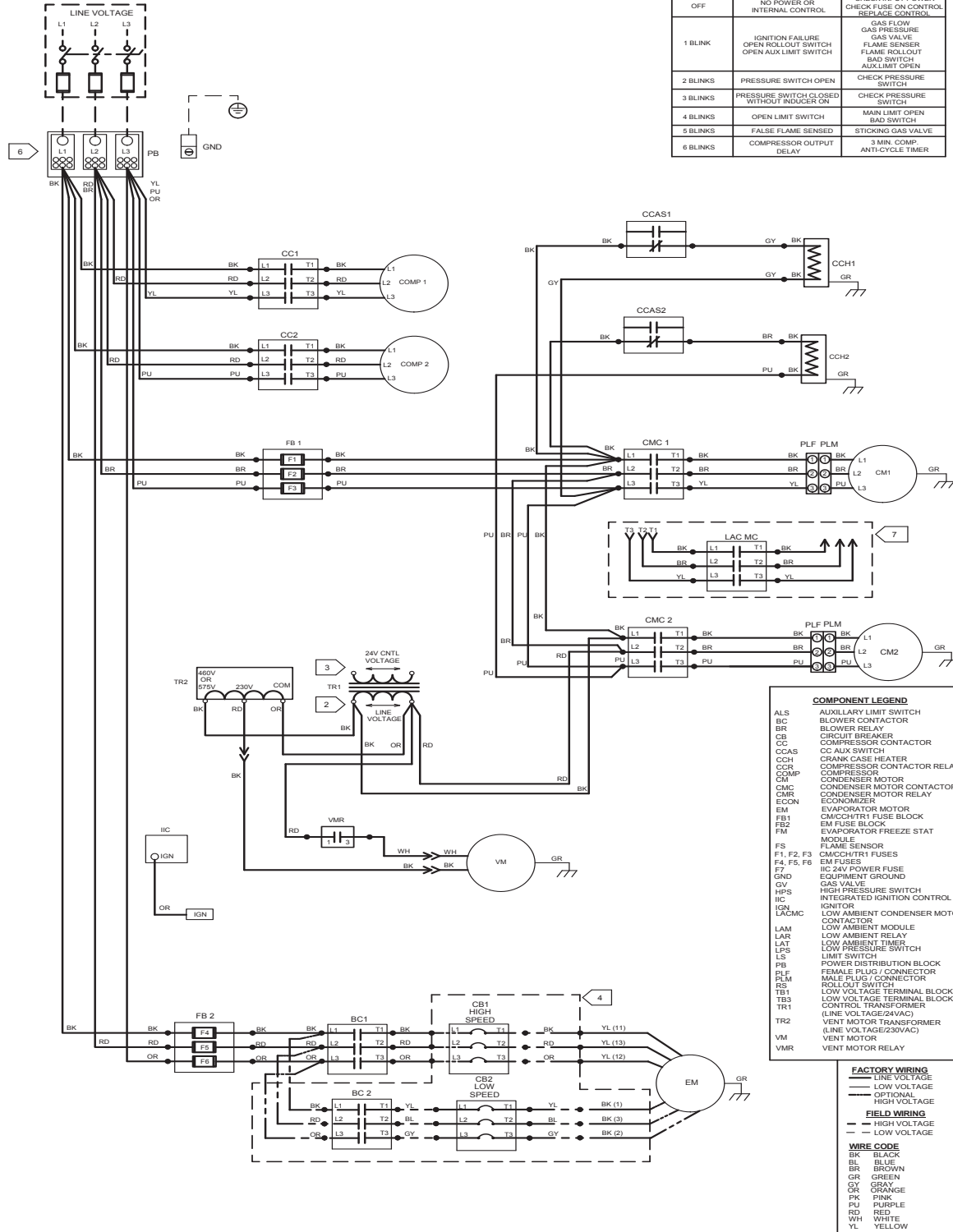
0140L04897-A

High Voltage: Disconnect all power before servicing or installing this unit. Multiple power sources may be present. Failure to do so may cause property damage, personal injury, or death.

WARNING
 Wiring is subject to change. Always refer to the wiring diagram on the unit for the most up-to-date wiring.

POWER DIAGRAM
DCG300**(4,7)

IIC DIAGNOSTIC BLINK CODES		
STATUS LIGHT	EQUIPMENT STATUS	CHECK
ON	NORMAL OPERATION	---
OFF	NO POWER OR INTERNAL CONTROL	CHECK INPUT POWER CHECK FUSE ON CONTROL REPLACE CONTROL
1 BLINK	IGNITION FAILURE OPEN ROLL-OUT SWITCH OPEN AUX LIMIT SWITCH	GAS FLOW GAS PRESSURE GAS VALVE FLAME SENSER FLAME ROLL-OUT BAD SWITCH AUX LIMIT OPEN
2 BLINKS	PRESSURE SWITCH OPEN	CHECK PRESSURE SWITCH
3 BLINKS	PRESSURE SWITCH CLOSED WITHOUT INDUCER ON	CHECK PRESSURE SWITCH
4 BLINKS	OPEN LIMIT SWITCH	MAIN LIMIT OPEN BAD SWITCH
5 BLINKS	FALSE FLAME SENSED	STICKING GAS VALVE
6 BLINKS	COMPRESSOR OUTPUT DELAY	3 MIN. COMP. ANTI-CYCLE TIMER



- COMPONENT LEGEND**
- ALS AUXILIARY LIMIT SWITCH
 - BC BLOWER CONTACTOR
 - BR BLOWER RELAY
 - CB CIRCUIT BREAKER
 - CC COMPRESSOR CONTACTOR
 - CC AUX SWITCH
 - CCH CRANK CASE HEATER
 - CCR COMPRESSOR CONTACTOR RELAY
 - COMP COMPRESSOR
 - CMC CONDENSER MOTOR CONTACTOR
 - CMR CONDENSER MOTOR RELAY
 - ECON ECONOMIZER
 - EM EVAPORATOR MOTOR
 - EM CCMCHTR1 FUSE BLOCK
 - EM FUSE BLOCK
 - FM EVAPORATOR FREEZE STAT MODULE
 - FS FLAME SENSER
 - F1, F2, F3 CMCCHTR1 FUSES
 - F4, F5, F6 EM FUSES
 - I7 IIC 24V POWER FUSE
 - GND EQUIPMENT GROUND
 - GV GAS VALVE
 - HPS HIGH PRESSURE SWITCH
 - IIC INTEGRATED IGNITION CONTROL
 - IGN IGNITOR
 - LOW AMBIENT CONDENSER MOTOR CONTACTOR
 - LAM LOW AMBIENT MODULE
 - LAR LOW AMBIENT RELAY
 - LAT LOW AMBIENT TIMER
 - LPS LOW PRESSURE SWITCH
 - LS LIMIT SWITCH
 - PB POWER DISTRIBUTION BLOCK
 - PLF FEMALE PLUG / CONNECTOR
 - PLM MALE PLUG / CONNECTOR
 - RS1 LOW VOLTAGE TERMINAL BLOCK 1
 - RS2 LOW VOLTAGE TERMINAL BLOCK 2
 - RS3 LOW VOLTAGE TERMINAL BLOCK 3
 - TR1 CONTROL TRANSFORMER (LINE VOLTAGE/24VAC)
 - TR2 VENT MOTOR TRANSFORMER (LINE VOLTAGE/30VAC)
 - VM VENT MOTOR
 - VMR VENT MOTOR RELAY

- FACTORY WIRING**
- LINE VOLTAGE
 - LOW VOLTAGE
 - OPTIONAL HIGH VOLTAGE
- FIELD WIRING**
- HIGH VOLTAGE
 - LOW VOLTAGE
- WIRE CODE**
- BK BLACK
 - BL BLUE
 - BR BROWN
 - GR GREEN
 - GY GRAY
 - OR ORANGE
 - PK PINK
 - PU PURPLE
 - RD RED
 - WH WHITE
 - YL YELLOW

- NOTES:**
1. REPLACEMENT WIRE MUST BE SAME SIZE AND TYPE OF INSULATION AS ORIGINAL (USE COPPER CONDUCTORS ONLY).
 2. THE CONTROL TRANSFORMER HAS MULTIPLE HIGH VOLTAGE TAPS. ENSURE WIRE CONNECTIONS ARE CORRECT FOR UNIT SUPPLY VOLTAGE RATING.
 3. SEE CONTROL DIAGRAM FOR CONTROL TRANSFORMER LOW VOLTAGE CONNECTIONS.
 4. OPTIONAL, CB1, CB2, BC2 AND ASSOCIATED WIRING IS PRESENT ONLY WITH 2-SPEED EVAPORATOR MOTOR.
 5. USE COPPER CONDUCTORS ONLY. UNIT TERMINALS ARE NOT DESIGNED FOR OTHER CONDUCTORS. THE USE OF OTHER TYPE CONDUCTORS MAY CAUSE DAMAGE TO THE UNIT.
 6. SEE ACCESSORY KIT LITERATURE FOR OPTIONAL CONVENIENCE OUTLET WIRING DIAGRAM.
 7. IF LOW AMBIENT KIT INSTALLED, DISCONNECT CONDENSER MOTOR WIRES (BK, BR, YL) FROM CMC1 (T1, T2, T3) AND CONNECT TO CORRESPONDING BK, BR, YL WIRES ON LOW AMBIENT HARNESS (INSULATED MALE QUICK CONNECT). ALSO CONNECT LOW AMBIENT HARNESS WIRES (BK, BR, YL) (INSULATED FEMALE QUICK CONNECT) TO T1, T2, T3 ON CMC1.

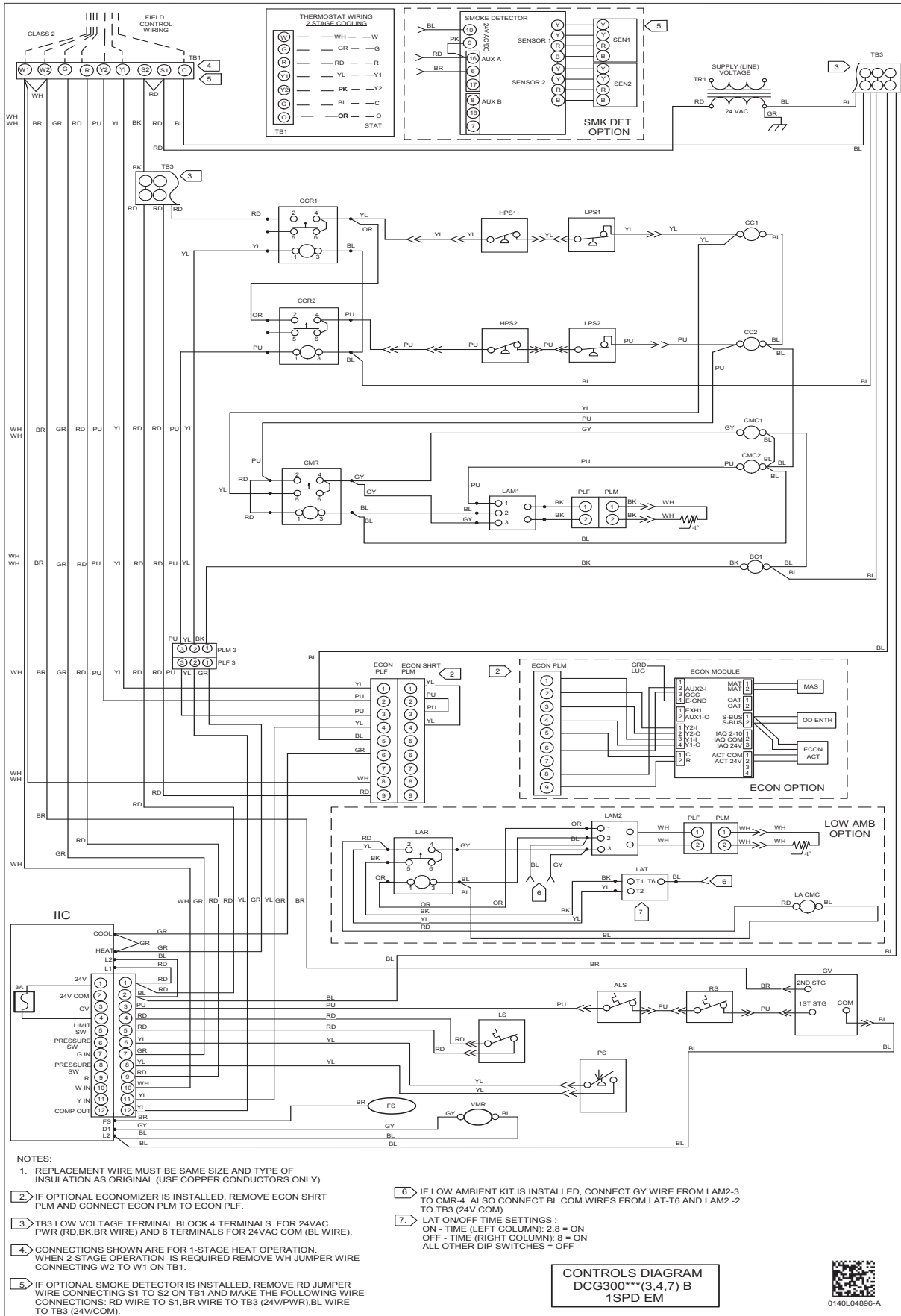
High Voltage: Disconnect all power before servicing or installing this unit. Multiple power sources may be present. Failure to do so may cause property damage, personal injury, or death.

WARNING

Wiring is subject to change. Always refer to the wiring diagram on the unit for the most up-to-date wiring.



0140L04888-A



- NOTES:
1. REPLACEMENT WIRE MUST BE SAME SIZE AND TYPE OF INSULATION AS ORIGINAL (USE COPPER CONDUCTORS ONLY).
 2. IF OPTIONAL ECONOMIZER IS INSTALLED, REMOVE ECON SHRT PLM AND CONNECT ECON PLM TO ECON PLF.
 3. TB3 LOW VOLTAGE TERMINAL BLOCK 4 TERMINALS FOR 24VAC PWR (RD,BK,BR WIRE) AND 6 TERMINALS FOR 24VAC COM (BL WIRE).
 4. CONNECTIONS SHOWN ARE FOR 1-STAGE HEAT OPERATION. WHEN 2-STAGE OPERATION IS REQUIRED REMOVE WH JUMPER WIRE CONNECTING W2 TO W1 ON TB1.
 5. IF OPTIONAL SMOKE DETECTOR IS INSTALLED, REMOVE RD JUMPER WIRE CONNECTING S1 TO S2 ON TB1 AND MAKE THE FOLLOWING WIRE CONNECTIONS: RD WIRE TO S1, BR WIRE TO TB3 (24V/PWR), BL WIRE TO TB3 (24V/COM).

6. IF LOW AMBIENT KIT IS INSTALLED, CONNECT GY WIRE FROM LAM2-3 TO CMR-4. ALSO CONNECT BL COM WIRES FROM LAT-T6 AND LAM2-2 TO TB3 (24V COM).
7. LAT ON/OFF TIME SETTINGS:
ON - TIME (LEFT COLUMN): 2, 8 = ON
OFF - TIME (RIGHT COLUMN): 8 = ON
ALL OTHER DIP SWITCHES = OFF

CONTROLS DIAGRAM
DCG300*** (3,4,7) B
1SPD EM

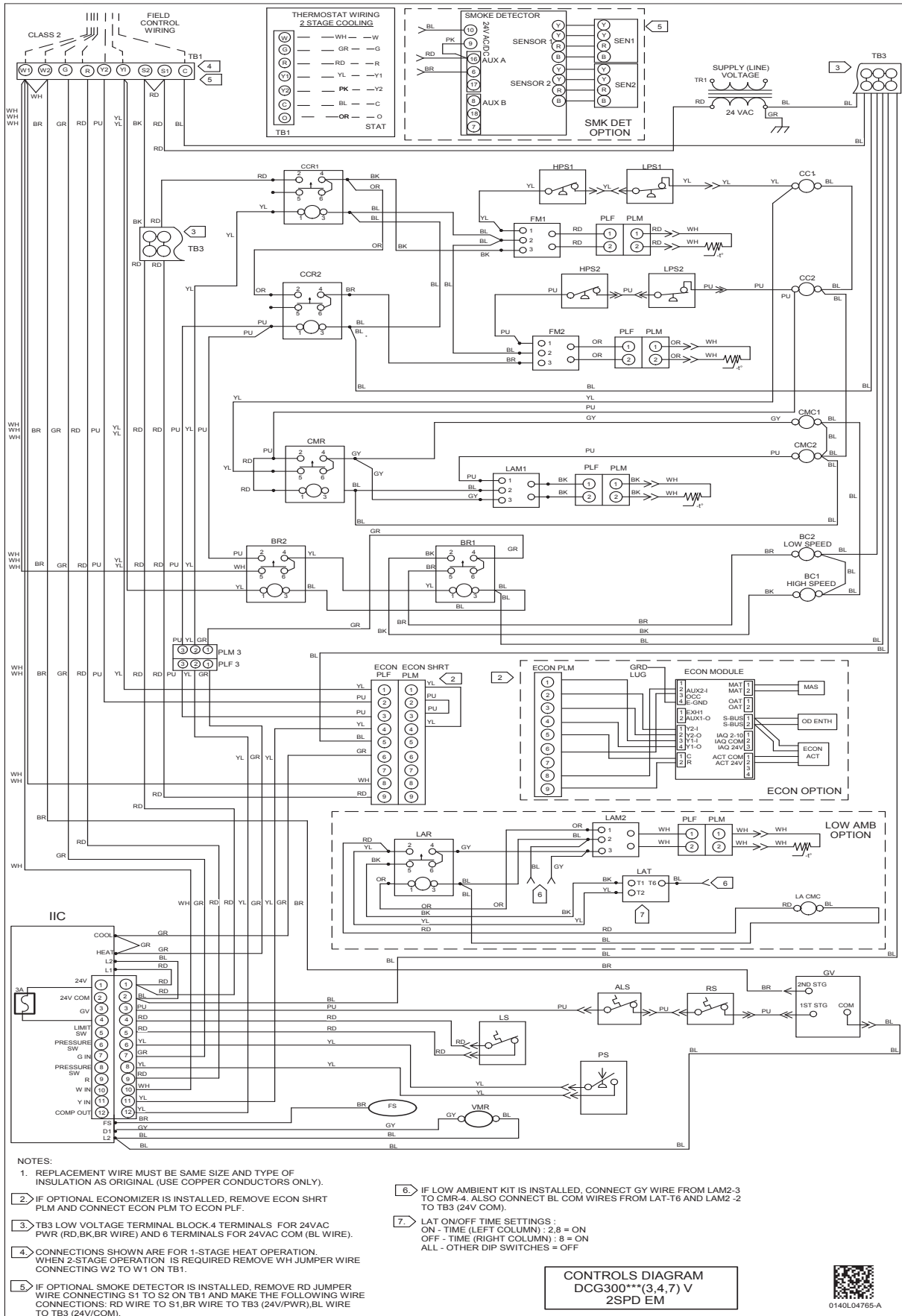


0140L04896-A

High Voltage: Disconnect all power before servicing or installing this unit. Multiple power sources may be present. Failure to do so may cause property damage, personal injury, or death.

WARNING

Wiring is subject to change. Always refer to the wiring diagram on the unit for the most up-to-date wiring.



NOTES:

1. REPLACEMENT WIRE MUST BE SAME SIZE AND TYPE OF INSULATION AS ORIGINAL (USE COPPER CONDUCTORS ONLY).
2. IF OPTIONAL ECONOMIZER IS INSTALLED, REMOVE ECON SHRT PLM AND CONNECT ECON PLM TO ECON PLF.
3. TB3 LOW VOLTAGE TERMINAL BLOCK 4 TERMINALS FOR 24VAC PWR (RD,BK,BR WIRE) AND 6 TERMINALS FOR 24VAC COM (BL WIRE).
4. CONNECTIONS SHOWN ARE FOR 1-STAGE HEAT OPERATION WHEN 2-STAGE OPERATION IS REQUIRED REMOVE WH JUMPER WIRE CONNECTING W2 TO W1 ON TB1.
5. IF OPTIONAL SMOKE DETECTOR IS INSTALLED, REMOVE RD JUMPER WIRE CONNECTING S1 TO S2 ON TB1 AND MAKE THE FOLLOWING WIRE CONNECTIONS: RD WIRE TO S1, BR WIRE TO TB3 (24V/PWR), BL WIRE TO TB3 (24V/COM).

6. IF LOW AMBIENT KIT IS INSTALLED, CONNECT GY WIRE FROM LAM2-3 TO CMR-4. ALSO CONNECT BL COM WIRES FROM LAT-T6 AND LAM2-2 TO TB3 (24V COM).
7. LAT ON/OFF TIME SETTINGS :
ON - TIME (LEFT COLUMN) : 2, 8 = ON
OFF - TIME (RIGHT COLUMN) : 8 = ON
ALL - OTHER DIP SWITCHES = OFF

CONTROLS DIAGRAM
DCG300*** (3,4,7) V
2SPD EM



0140L04765-A

High Voltage: Disconnect all power before servicing or installing this unit. Multiple power sources may be present. Failure to do so may cause property damage, personal injury, or death.

WARNING

Wiring is subject to change. Always refer to the wiring diagram on the unit for the most up-to-date wiring.

FILED-INSTALLED ITEM #	DESCRIPTION	FITS MODEL SIZES	FIELD-INSTALLED	FACTORY-INSTALLED	OPERATING WEIGHT (LBS)
14CURB180300	14" Roof Curb	15-25 tons	√		285
D25FD180300	25% Manual Fresh Air Damper	15-25 tons	√		34
D25MFD180300	25% Motorized Fresh Air Damper	15-25 tons	√		42
DDNBB180240	Burglar Bar Sleeves with Supply and Return	15-25 tons	√		60
CDK180	Concentric Duct Kit	15 tons	√		158
CDK240	Concentric Duct Kit	20 tons	√		197
CDK300	Concentric Duct Kit	25 tons	√		244
	Convenience Outlet: Powered	All Models		√	42
	Convenience Outlet: Non Powered	All Models		√	2
	Disconnect Switch (non-fused)	All Models		√	5
	Ultra Low-Leak Downflow Economizer ³	15-25 tons		√	281
DDNECNJ180300B	Low-Leak Downflow Economizer ⁴	15-25 tons	√	√	416
HAKT36300	High-Altitude Kit	All Models	√		21
HSKT180G ¹	High-Static Kit (230/460v)	15 tons	√		4
HSKT180G-7 ¹	High-Static Kit (575v)	15 tons	√		4
HSKT240 ¹	High-Static Kit (230/460v)	20 tons	√		126
HSKT240-7 ¹	High-Static Kit (575v)	20 tons	√		126
HSKT300G	High-Static Kit (all voltages)	25 tons	√		8
HZCURB180240ED	Horizontal Discharge Curb — End Discharge	15-25 tons	√		800
HZCURB180240SDN	Horizontal Discharge Curb — Side Discharge; duct openings on non-service side	15-25 tons	√		1100
HZCURB180240SDS	Horizontal Discharge Curb — Side Discharge; duct openings on service side	15-25 tons	√		1100
GHRC-1	Hurricane Restraint Clips	All Models	√		2
LAKT03	Low-Ambient Kit	15-20 tons	√	√	2
LAKT05	Low-Ambient Kit (208/230V & 460V)	25 tons	√	√	2
LPKT180300A	LP Conversion Kit	15-25 tons	√		1
DPE1803002	Downflow Power Exhaust (208/230v)	15-25 tons	√		200
DPE1803004	Downflow Power Exhaust (460v)	15-25 tons	√		200
DPE1803007	Downflow Power Exhaust (575v)	15-25 tons	√		200
	Smoke Detector	All Models		√	11
FSKT02A	Freeze Stat Kit	25 tons	√ ²		1

¹HSKT High-static kits are for use with standard single-speed belt-drive units only.

²FSK02A is standard on 2 speed, V, models, and field installed for single speed, B, models.

³Please contact RRS Rooftop Systems directly if Power Exhaust is required.

⁴Please use part number DPE1803002 / DPE1803004 / DPE1803007 if Power Exhaust is required.

Note: Where multiple variations are available, the heaviest combination is listed.