

# REPAIR PARTS

---

## HUM-XXXX High Capacity Flow-Thru Bypass and Fan-Powered Humidifier

HUM-FP  
HUM-LFTBP  
HUM-SFTBP



Made in the USA by:  
Goodman Manufacturing Company, L.P.  
2550 North Loop West, Suite 400  
Houston Texas 77092

[www.goodmanmfg.com](http://www.goodmanmfg.com) [www.amana-hac.com](http://www.amana-hac.com)

RP-344A  
October 2006

# Important Information

---

## Index

Functional Parts List .....	3
Illustration and Parts .....	4 - 9

*Views shown are for parts illustrations only, not servicing procedures*

Rev. A: Placed models on separate pages for easier viewing.

### Text Codes:

AR - As Required

NA - Not Available

NS - Not Shown

00000000 - See Note

QTY - Quantity Example (QTY 3) (If Quantity not shown, Quantity = 1)

M - Model Example (M1) (If M Code not shown, then part is used on all Models)

### Expanded Model Nomenclature:

Example M1 - Model#1 M2 - Model#2 M3 - Model#3
---

Goodman Manufacturing Company, L.P. is not responsible for personal injury or property damage resulting from improper service. Review all service information before beginning repairs.

Warranty service must be performed by an authorized technician, using authorized factory parts. If service is required after the warranty expires, Goodman Manufacturing Company, L.P. also recommends contacting an authorized technician and using authorized factory parts.

Goodman Manufacturing Company, L.P. reserves the right to discontinue, or change at any time, specifications or designs without notice or without incurring obligations. Goodman® brand products are proudly made in the USA.

For assistance within the U.S.A. contact:  
Consumer Affairs Department  
Goodman Manufacturing Company, L.P.  
7401 Security Way  
Houston, Texas 77040  
877-254-4729-Telephone  
713-863-2382-Facsimile

For assistance outside the U.S.A. contact:  
International Division  
Goodman Manufacturing Company, L.P.  
7401 Security Way  
Houston, Texas 77040  
713-861-2500-Telephone  
713-863-2382-Facsimile

# Functional Parts

## Part

**No:**            **Description:**

---

HUM-1721048	MOTOR, FAN (M1)
HUM-1106030	ORIFICE (.020) DIAMETER (M2)
HUM-0814148	SOLENOID VALVE, 24V (M1)
HUM-0814008	TRANSFORMER, 24V (M2)

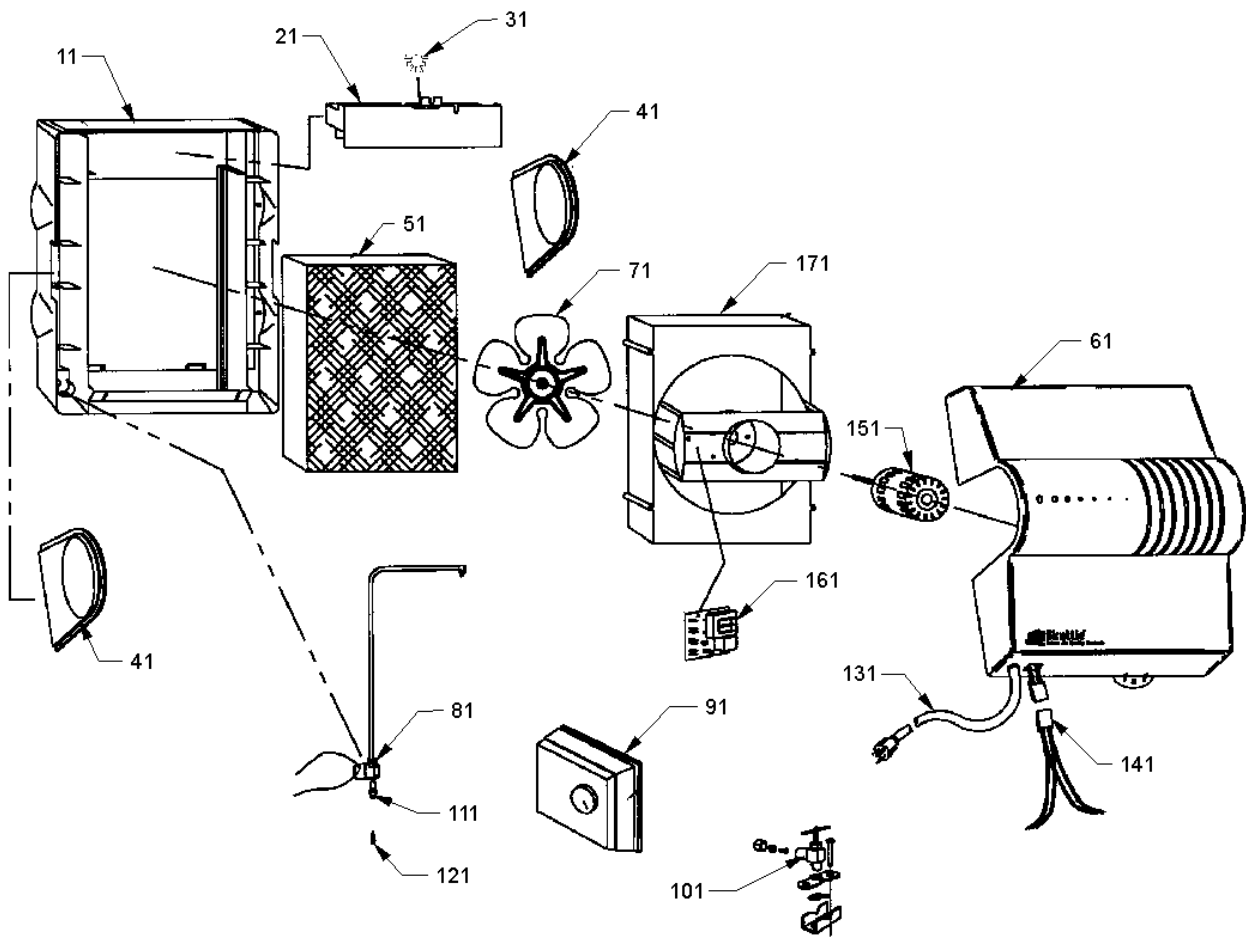
## SPECIAL PARTS

IO-634	INSTALLATION INSTRUCTIONS
RP-344A	REPAIR PARTS MANUAL

Expanded Model Nomenclature

M1 - HUM-FP
M2 - HUM-LFTBP
M3 - HUM-SFTBP

# Fan Powered Humidifier (HUM-FP)



# Fan Powered Humidifier (HUM-FP)

Ref. Part No:	Ref. Part No:	Description:	Description:
---------------	---------------	--------------	--------------

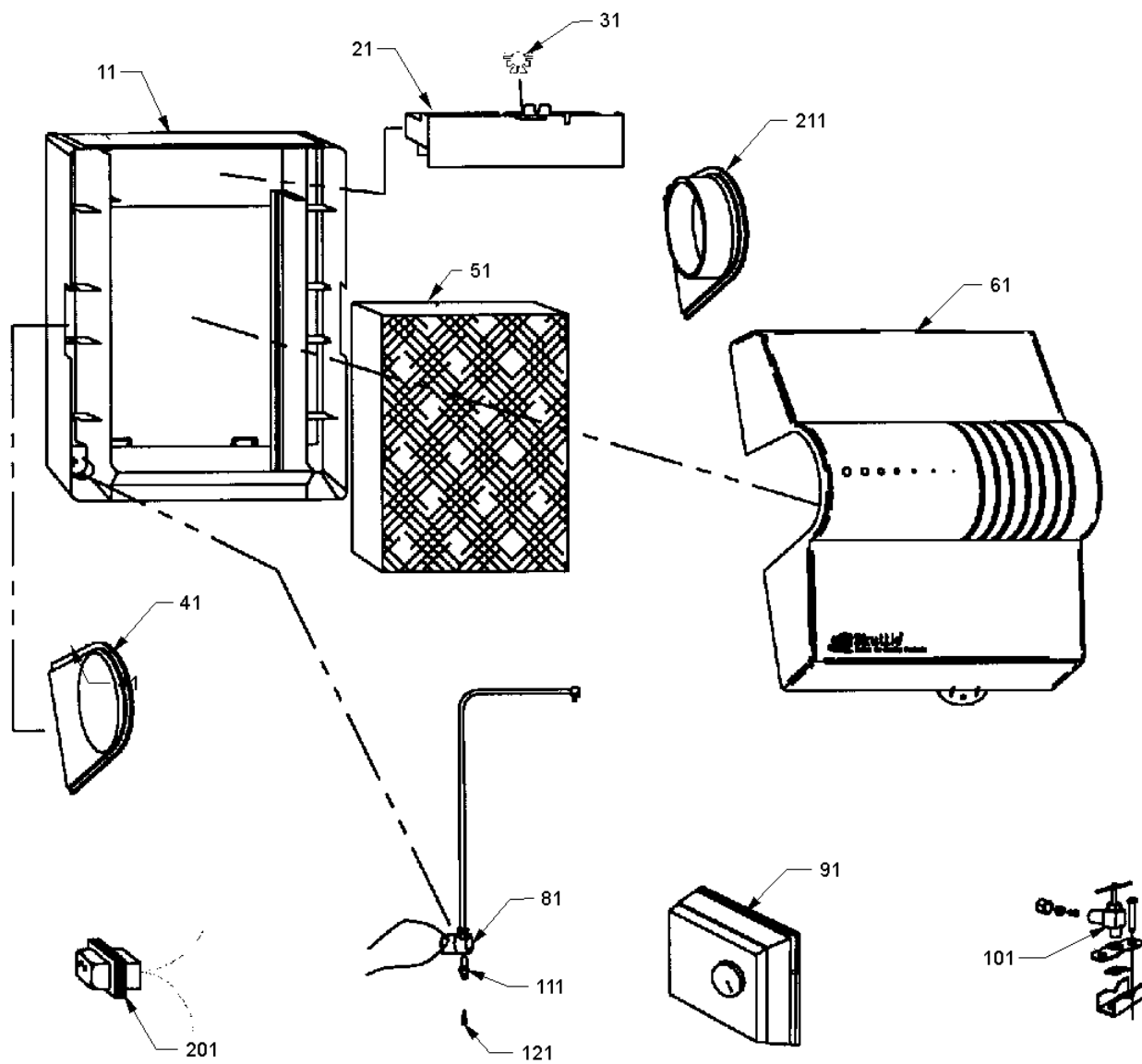
Image 1:

11	HUM-1730091	MOUNTING BASE (M1)
21	HUM-0602055	DRIP TRAY (M1)
31	HUM-1317091	WICK (M1)
41	HUM-1730089	SIDE PIECE W/O COLLAR (M1)
51	HUM-1725051	EVAPORATOR PAD, 12 PK (INCLUDES KEY) (M1)
61	HUM-0641169	COVER W/VENTS (M1)
71	HUM-1318080	BLADE, FAN, 10" DIAMETER (M1)
81	HUM-0814148	SOLENOID VALVE, 24V (M1)
91	HUM-HSTAT	HUMIDSTAT, 24V W/LOGOS (M1)
101	HUM-1128005	SADDLE VALVE ASSEMBLY (M1)
111	HUM-1106030	ORIFICE (.020) DIAMETER (M1)
121	HUM-1319051	INLINE FILTER (M1)
131	HUM-0811123	CORD, POWER SUPPLY (M1)
141	HUM-0811122	2 PIECE CONNECTOR ASSEMBLY (M1)
151	HUM-1721048	MOTOR, FAN (M1)
161	HUM-0431034	RELAY, ISOLATION (M1)
171	HUM-1730092	SHROUD, FAN (M1)
NS	HUM-A50	RELAY, CURRENT SENSING (M1)
NS	HUM-0803041	SCREW, COVER ATTACH (M1)
NS	HUM-1175028	TUBE, FILL (M1)

Expanded Model Nomenclature

M1 - HUM-FP
M2 - HUM-LFTBP
M3 - HUM-SFTBP

# Large Flow-Thru ByPass Humidifier (HUM-LFTBP)



# Large Flow-Thru ByPass Humidifier (HUM-LFTBP)

Ref. Part No:	Part No:	Description:	Ref. Part No:	Part No:	Description:
---------------	----------	--------------	---------------	----------	--------------

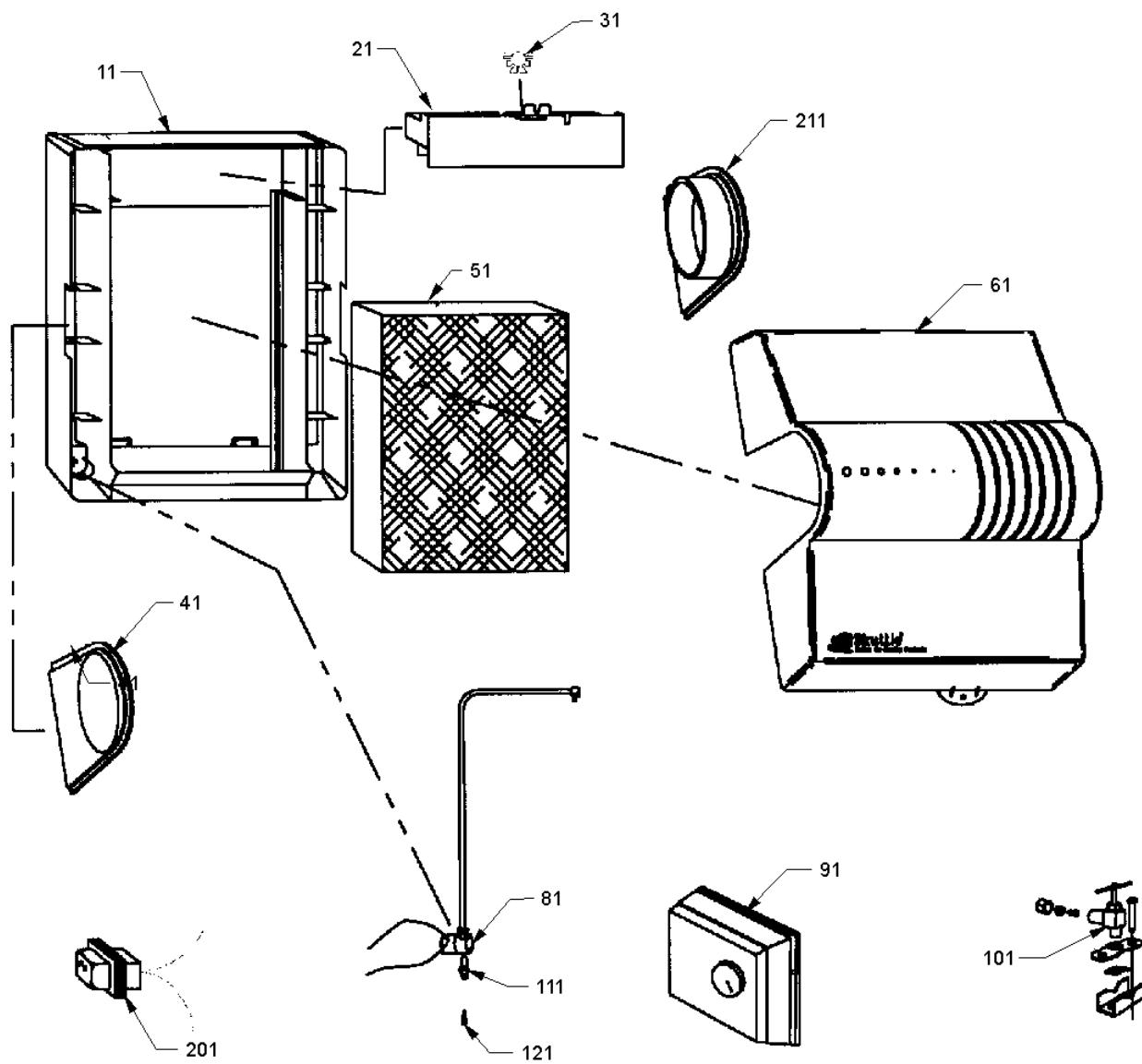
Image 1:

11	HUM-1730091	MOUNTING BASE (M2)
21	HUM-0602055	DRIP TRAY (M2)
31	HUM-1317091	WICK (M2)
41	HUM-1730089	SIDE PIECE W/O COLLAR (M2)
51	HUM-1725051	EVAPORATOR PAD, 12 PK (INCLUDES KEY) (M2)
61	HUM-0641170	COVER (M2)
81	HUM-0814148	SOLENOID VALVE, 24V (M2)
91	HUM-HSTAT	HUMIDSTAT, 24V W/LOGOS (M2)
101	HUM-1128005	SADDLE VALVE ASSEMBLY (M2)
111	HUM-1106030	ORIFICE (.020) DIAMETER (M2)
121	HUM-1319051	INLINE FILTER (M2)
201	HUM-0814008	TRANSFORMER, 24V (M2)
211	HUM-1730124	PANEL, DAMPER SIDE (M2)
NS	HUM-A50	RELAY, CURRENT SENSING (M2)
NS	HUM-0803041	SCREW, COVER ATTACH (M2)
NS	HUM-1175028	TUBE, FILL (M2)

Expanded Model Nomenclature

M1 - HUM-FP
M2 - HUM-LFTBP
M3 - HUM-SFTBP

# Small Flow-Thru ByPass Humidifier (HUM-SFTBP)





# Small Flow-Thru Bypass Humidifier (HUM-SFTBP)

Ref. Part No:	No:	Description:	Ref. Part No:	No:	Description:
---------------	-----	--------------	---------------	-----	--------------

Image 1:

11	HUM-1730094	MOUNTING BASE (M3)
21	HUM-0602055	DRIP TRAY (M3)
31	HUM-1317091	WICK (M3)
41	HUM-1730089	SIDE PIECE W/O COLLAR (M3)
51	HUM-1725052	EVAPORATOR PAD, 12 PK (INCLUDES KEY) (M3)
61	HUM-0641171	COVER (M3)
81	HUM-0814148	SOLENOID VALVE, 24V (M3)
91	HUM-HSTAT	HUMIDSTAT, 24V W/LOGOS (M3)
101	HUM-1128005	SADDLE VALVE ASSEMBLY (M3)
111	HUM-1106030	ORIFICE (.020) DIAMETER (M3)
121	HUM-1319051	INLINE FILTER (M3)
201	HUM-0814008	TRANSFORMER, 24V (M3)
211	HUM-1730124	PANEL, DAMPER SIDE (M3)
NS	HUM-A50	RELAY, CURRENT SENSING (M3)
NS	HUM-0803041	SCREW, COVER ATTACH (M3)
NS	HUM-1175028	TUBE, FILL (M3)

Expanded Model Nomenclature

M1 - HUM-FP
M2 - HUM-LFTBP
M3 - HUM-SFTBP