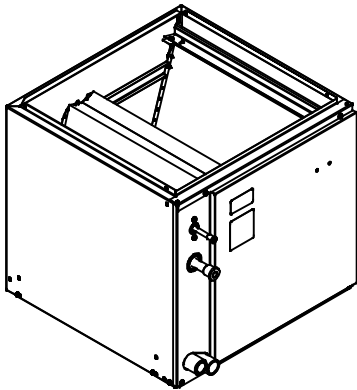
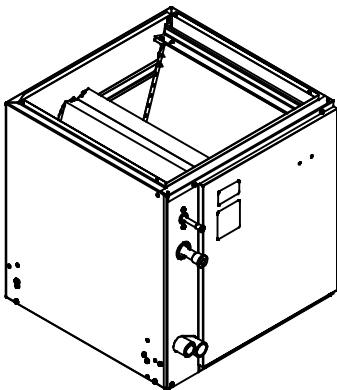


## Product Data



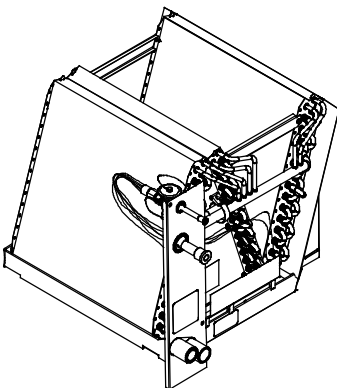
CN(P,R)VP

A06008



CN(P,R)VT (Transition)

A06007



CN(P,R)VU

A06004

This vertical design N-coil is a furnace coil designed to provide the highest standards of reliability and durability. The coils are available for use in Puron®, R-410A refrigerant and R-22 systems.

Both designs have a painted case and come with factory-installed thermostatic expansion valves (TXV). The coils are offered in different width configurations for use in multiple installation applications. Additionally, they are offered in a transition configuration, a design which simplifies making field-supplied transition duct configurations. Easy maintenance is provided as the coil slides out of the cabinet after removing the access door and service panel. The coils are available in sizes 018 through 061 (1-1/2 to 5 tons).

Transition coil models CNPVT and CNRVT are designed for use with one size smaller width furnaces without field modifications.

CN(P,R)V(P,T) and CNPVU are available in tin-plated copper coil models. These coils are built with special hairpins which are tin-plated to resist both general pitting corrosion and excessive indoor corrosion-formicary corrosion. (Formicary corrosion is an industry phenomenon.)

### STANDARD FEATURES

**Water Management** — These coil designs do an excellent job of water management. The coils are designed to avoid water blow-off into the ducts by directing condensate away from the fins and into the drain pan.

**Durable Condensate Pan** — Each coil is equipped with a corrosion-resistant condensate drain pan. The condensate drain pan is designed with a slope to help ensure proper drainage, improved moisture removal, and home comfort.

**Compact Design** — Unique design offers as much as 2 to 4 in. (51 to 102 mm) less in height to aid in tight installations.

**Brass Inserts** — Every condensate pan features two 3/4 in. female threaded brass insert connections. The unique brass inserts provide for a leak-free condensate line connection to prevent water damage.

**Refrigerant Connections** — The coils are provided with proven sweat-connections for leak-free operation maintaining system reliability.

**Burst Pressures** — These coils meet or exceed burst pressure of 2100 psi which is at least three to five times the pressure they will see in actual application.

**Thermostatic Expansion Valves (TXV)** — All Carrier® coils have refrigerant-specific factory-installed TXVs.

**Teflon Ring** — The ring, installed inside the liquid line connection at the TXV, is the best option for preventing refrigerant leaks and future service calls. Teflon works with both Puron, R-410A, the environmentally friendly refrigerant and R-22 refrigerants.

**Protective Tube Sheets** — Protect the durable copper tubing from being damaged during the manufacturing and installation process.

# MODEL NUMBER NOMENCLATURE

1 2 3 4 5 6 7 8 9 10 11 12  
 C N P V P 1 8 1 4 A C A

CNPV / CNRV

**Product**

C = Coil

**Type**

N = N Coil

**Refrigerant Type**

P = Puron® Refrigerant TXV

R = R-22 TXV

**Coil Configuration**

V = Upflow / Downflow

**Cabinet Finish**

P = Painted

U = Uncased

T = Transition N

**Variations**

A = Basic

**Tubing Design**

C = Copper

T = Tin-Plated Copper

**Revision Level**

A = 1st

**Cabinet Width**

14 = 14-in. / 356mm

17 = 17-in. / 432mm

21 = 21-in. / 533mm

24 = 24-in. / 610mm

**Unit Capacity**

18 = 1 1/2 Ton

19 = 1 1/2 Ton

24 = 2 Ton

30 = 2 1/2 Ton

31 = 2 1/2 Ton

36 = 3 Ton

37 = 3 Ton

42 = 3 1/2 Ton

43 = 3 1/2 Ton

48 = 4 Ton

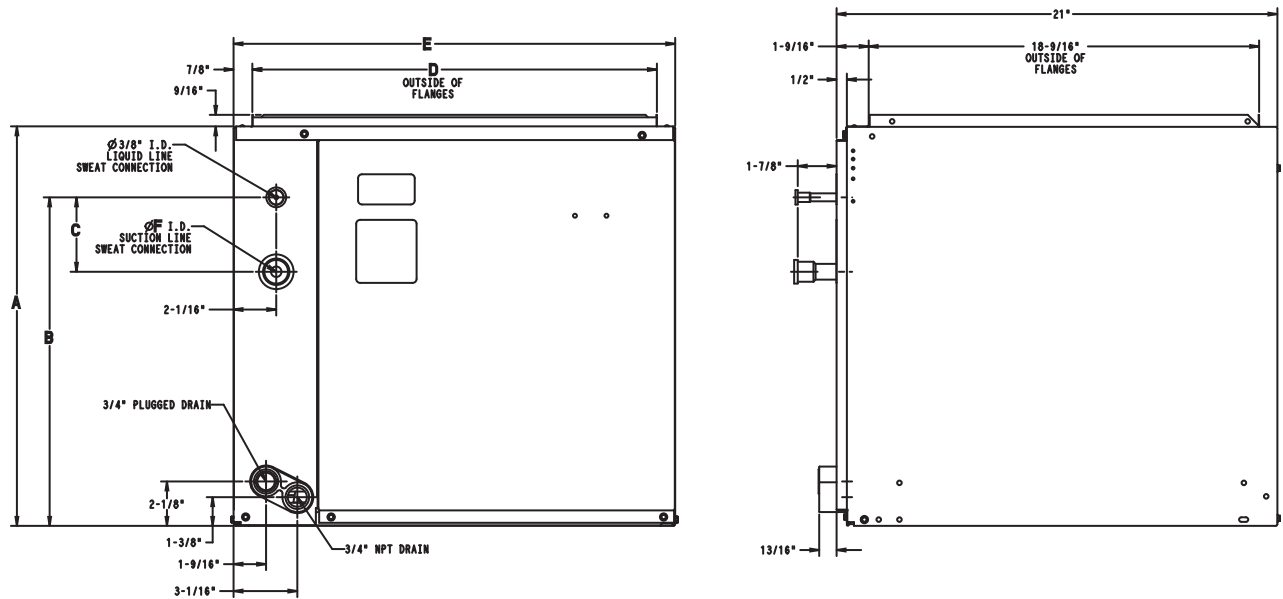
60 = 5 Ton

61 = 5 Ton



CERTIFICATION APPLIES ONLY WHEN THE COMPLETE SYSTEM IS LISTED WITH ARI

# DIMENSIONS



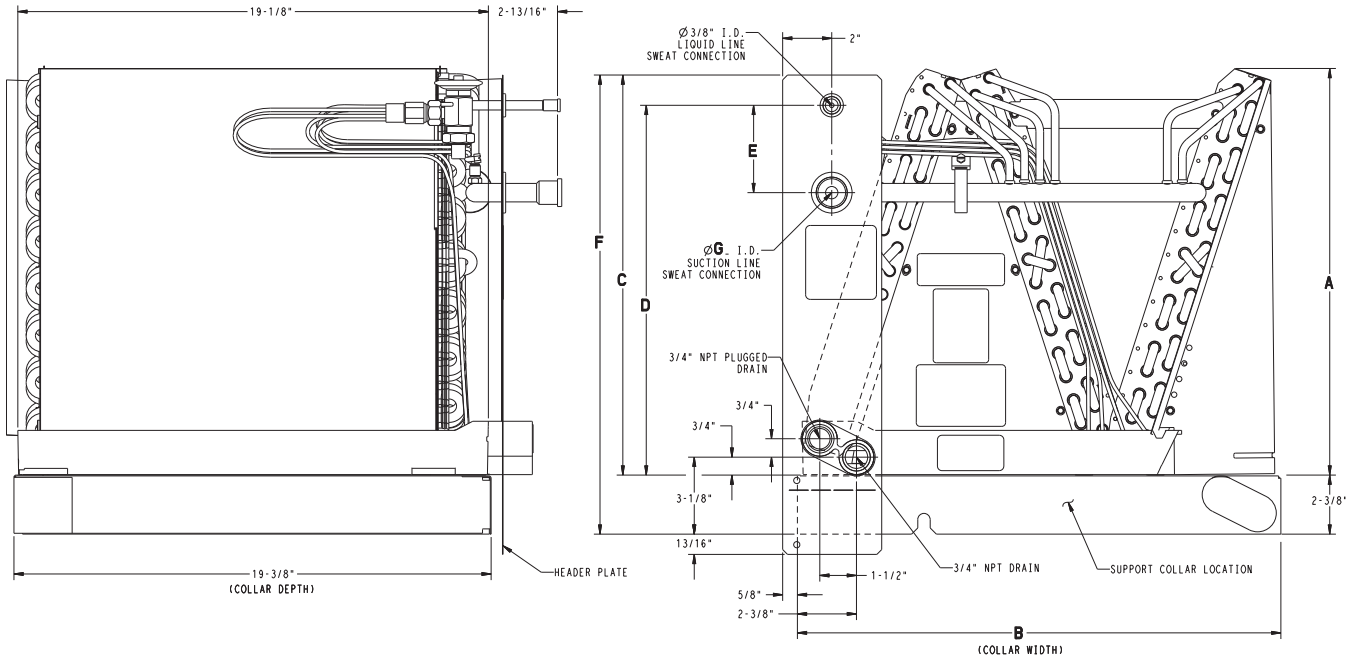
**CNPV / CNRV**

A05429

## DIMENSIONS - CN(P,R)VP

UNIT	A in. (mm)	B in. (mm)	C in. (mm)	D in. (mm)	E in. (mm)	F in. (mm)	SHIPPING WT. lbs. (kg)	
							Non-Coated Hairpins (C)	Tin-Coated Hairpins (T)
CN*VP1814A*A	12-5/8 (321)	10-1/16 (255)	5-5/16 (135)	12-1/2 (318)	14-3/16 (361)	5/8 (16)	36.0 (16)	38.5 (17)
CNPVP1917A*A	17 (432)	13-7/8 (352)	3-9/16 (90)	15-3/4 (400)	17-1/2 (445)	3/4 (19)	36.0 (16)	38.5 (17)
CN*VP2414A*A	14-5/8 (371)	12-1/16 (306)	5-5/16 (135)	12-1/2 (318)	14-3/16 (361)	5/8 (16)	39.5 (18)	40.0 (18)
CN*VP2417A*A	14-5/8 (371)	10-1/16 (255)	3-9/16 (90)	15-3/4 (400)	17-1/2 (445)	5/8 (16)	39.5 (18)	42.5 (19)
CN*VP3014A*A	17 (432)	13-5/8 (346)	5-5/16 (135)	12-1/2 (318)	14-3/16 (361)	3/4 (19)	46.5 (21)	50.0 (23)
CN*VP3017A*A	17 (432)	13-7/8 (352)	3-9/16 (90)	15-3/4 (400)	17-1/2 (445)	3/4 (19)	47.0 (21)	49.5 (22)
CNPVP3117A*A	23-1/4 (490)	17-1/2 (445)	3-9/16 (90)	15-3/4 (400)	17-1/2 (445)	3/4 (19)	47.0 (21)	49.5 (22)
CN*VP3617A*A	17 (432)	13-7/8 (352)	3-9/16 (90)	15-3/4 (400)	17-1/2 (445)	3/4 (19)	48.5 (22)	51.0 (23)
CN*VP3621A*A	17 (432)	13-9/16 (344)	3-9/16 (90)	19-1/4 (489)	21 (533)	3/4 (19)	48.0 (22)	51.0 (23)
CNPVP3717A*A	27-3/16 (691)	17-1/2 (445)	3-9/16 (90)	15-3/4 (400)	17-1/2 (445)	7/8 (22)	45.2 (21)	51.8 (24)
CNPVP4217A*A	21-1/8 (537)	13-7/8 (352)	3-9/16 (90)	15-3/4 (400)	17-1/2 (445)	7/8 (22)	52.0 (24)	55.0 (25)
CN*VP4221A*A	19 (483)	15-5/8 (397)	3-9/16 (90)	19-1/4 (489)	21 (533)	7/8 (22)	56.5 (27)	59.5 (27)
CNPVP4324A*A	26-5/16 (668)	17-5/16 (440)	3-9/16 (90)	22-3/4 (578)	24-1/2 (622)	7/8 (22)	58 (26.3)	59.5 (27)
CN*VP4821A*A	22-1/16 (560)	17-1/2 (445)	3-9/16 (90)	19-1/4 (489)	21 (533)	7/8 (22)	65.5 (30)	68.5 (31)
CN*VP4824A*A	22-1/16 (560)	17-1/4 (438)	3-9/16 (90)	22-3/4 (578)	24-1/2 (622)	7/8 (22)	62.0 (28)	65.0 (29)
CN*VP6024A*A	26-5/16 (668)	17-15/16 (456)	3-9/16 (90)	22-3/4 (578)	24-1/2 (622)	7/8 (22)	78.0 (35)	80.5 (37)
CNPVP6124A*A	32-7/16 (824)	17-15/16 (456)	3-9/16 (90)	22-3/4 (578)	24-1/2 (622)	7/8 (22)	83.5 (38)	86.5 (39)

## DIMENSIONS (cont.)



**CNPV / CNRV**

A06503

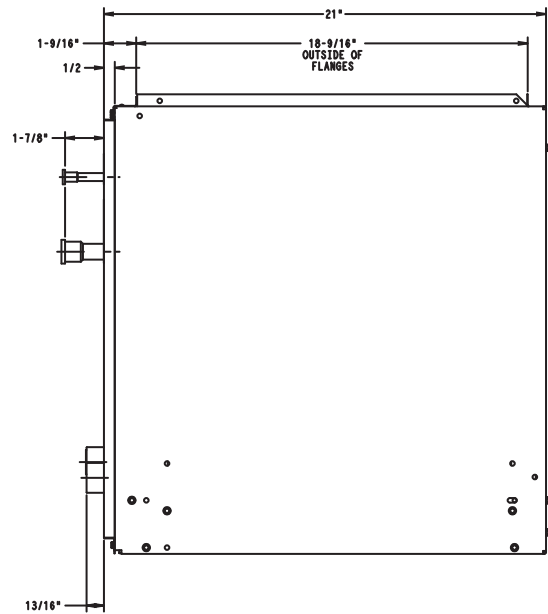
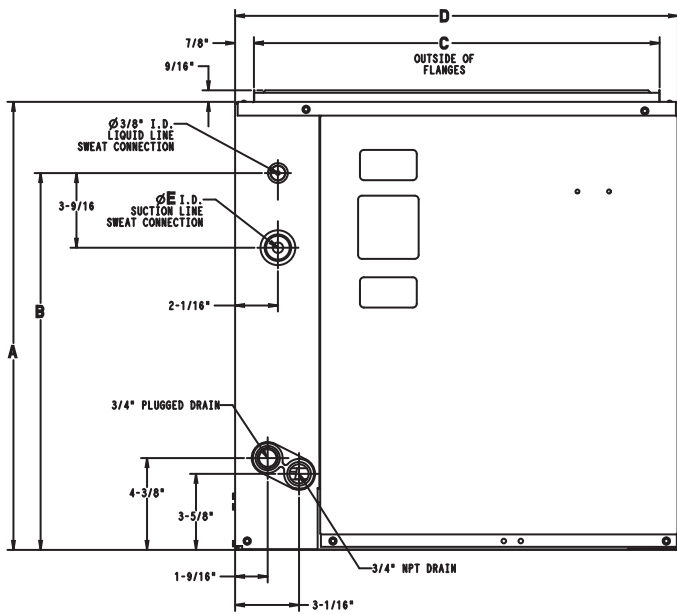
### DIMENSIONS - CNPVU

UNIT	A in (mm)	B in (mm)	C in (mm)	D in (mm)	E in (mm)	F in (mm)	G in (mm)	SHIPPING WT. lb(kg)
CNPVU1814A*A	10-7/8 (276)	12-1/2 (318)	10-5/8 (270)	9-3/8 (238)	5-5/16 (135)	13 (330)	5/8 (16)	17.0 (8)
CNPVU2414A*A	12-7/8 (327)	12-9/16 (319)	12-5/8 (321)	11-7/16 (290)	5-5/16 (135)	15 (381)	5/8 (16)	21.0 (10)
CNPVU2417A*A	12-3/4 (324)	15-15/16 (405)	12-5/8 (321)	11-7/16 (290)	5-5/16 (135)	15 (381)	5/8 (16)	23.0 (10)
CNPVU3014A*A	14-7/8 (378)	12-5/8 (321)	14-3/16 (361)	13 (330)	5-5/16 (135)	16-9/16 (421)	3/4 (19)	23.0 (10)
CNPVU3017A*A	14-3/4 (375)	15-15/16 (405)	14-3/16 (361)	13 (330)	5-5/16 (135)	16-9/16 (421)	3/4 (19)	25.0 (11)
CNPVU3617A*A	14-11/16 (373)	15-15/16 (405)	14-7/16 (367)	13-1/4 (336)	3-9/16 (90)	16-13/16 (427)	3/4 (19)	26.0 (12)
CNPVU3621A*A	14-1/2 (368)	19-5/16 (490)	14-7/16 (367)	13-1/4 (336)	3-9/16 (90)	16-13/16 (427)	3/4 (19)	28.0 (13)
CNPVU4221A*A	16-1/2 (368)	19-5/16 (490)	16-3/16 (411)	15 (381)	3-9/16 (90)	18-9/16 (471)	7/8 (22)	29.0 (13)
CNPVU4821A*A	20-9/16 (522)	19-5/16 (490)	18-1/16 (459)	16-7/8 (429)	3-9/16 (90)	20-7/16 (519)	7/8 (22)	33.0 (15)
CNPVU4824A*A	20-3/8 (518)	22-7/8 (581)	18-1/16 (459)	16-7/8 (429)	3-9/16 (90)	20-7/16 (519)	7/8 (22)	35.0 (16)
CNPVU6024A*A	24-3/8 (619)	22-7/8 (581)	18-1/2 (470)	17-5/16 (440)	3-9/16 (90)	20-7/8 (530)	7/8 (22)	35.0 (16)

### DIMENSIONS - CNRVU

UNIT	A in (mm)	B in (mm)	C in (mm)	D in (mm)	E in (mm)	F in (mm)	G in (mm)	SHIPPING WT. lb(kg)
CNRVU1814ACA	10-7/8 (276)	12-1/2 (318)	10-5/8 (270)	9-3/8 (238)	5-5/16 (135)	13 (330)	5/8 (16)	17.0 (8)
CNRVU2414ACA	12-7/8 (327)	12-9/16 (319)	12-5/8 (321)	11-7/16 (290)	5-5/16 (135)	15 (381)	5/8 (16)	21.0 (10)
CNRVU3014ACA	14-7/8 (378)	12-5/8 (321)	14-3/16 (361)	13 (330)	5-5/16 (135)	16-9/16 (421)	3/4 (19)	23.0 (10)
CNRVU3617ACA	14-11/16 (373)	15-15/16 (405)	14-7/16 (367)	13-1/4 (336)	3-9/16 (90)	16-13/16 (427)	3/4 (19)	26.0 (12)
CNRVU4221ACA	16-1/2 (368)	19-5/16 (490)	16-3/16 (411)	15 (381)	3-9/16 (90)	18-9/16 (471)	7/8 (22)	29.0 (13)
CNRVU4821ACA	20-9/16 (522)	19-5/16 (490)	18-1/16 (459)	16-7/8 (429)	3-9/16 (90)	20-7/16 (519)	7/8 (22)	33.0 (15)
CNRVU6024ACA	24-3/8 (619)	22-7/8 (581)	18-1/2 (470)	17-5/16 (440)	3-9/16 (90)	20-7/8 (530)	7/8 (22)	35.0 (16)

## DIMENSIONS (cont.)



**CNPV / CNRV**

A05431

### DIMENSIONS - CN(P,R)VT

UNIT	A in (mm)	B in (mm)	C in (mm)	D in (mm)	E in (mm)	SHIPPING WT. lb (kg)	
						Non-Coated Hairpins (C)	Tin-Coated Hairpins (T)
CN*VT3617A*A	19-13/16 (503)	16-1/8 (410)	15-3/4 (400)	17-1/2 (445)	3/4 (19)	48.5 (22)	51.0 (23)
CN*VT4221A*A	21-13/16 (554)	17-7/8 (454)	19-1/4 (489)	21 (533)	7/8 (22)	62.0 (28)	64.5 (29)
CN*VT4821A*A	24-7/8 (632)	19-3/4 (502)	19-1/4 (489)	21 (533)	7/8 (22)	71.0 (32)	73.5 (33)
CN*VT6024A*A	29-1/8 (740)	20-3/16 (513)	22-3/4 (578)	24-1/2 (622)	7/8 (22)	78.0 (35)	80.5 (37)

**NOTE:** This coil suitable for use on furnace width one size down from coil casing width.



**PERFORMANCE DATA (cont.)**

**COOLING CAPACITIES (MBH) - PURON® REFRIGERANT**

CNPV UNIT SIZE	INDOOR COIL AIR		SATURATED TEMPERATURE LEAVING EVAPORATOR °F (°C)														
			30 (-1)			35 (2)			40 (4)			45 (7)			50 (10)		
	CFM	EWB	TC	SHC	BF	TC	SHC	BF	TC	SHC	BF	TC	SHC	BF	TC	SHC	BF
4217 4221 4224 T4221	1050	72 (22)	74.40	36.30	0.00	68.10	33.10	0.00	61.20	29.70	0.00	53.50	26.20	0.01	45.00	22.60	0.02
		67 (19)	62.30	37.60	0.02	56.00	34.20	0.03	48.90	30.60	0.03	41.20	27.00	0.03	32.80	23.30	0.03
		62 (17)	51.40	38.60	0.03	44.90	35.00	0.03	37.90	31.40	0.03	30.60	27.80	0.04	24.40	24.40	0.08
	1400	72 (22)	90.20	43.80	0.00	82.60	40.10	0.00	74.10	36.20	0.01	64.70	32.00	0.04	54.40	27.60	0.05
		67 (19)	75.80	46.00	0.05	68.00	42.00	0.05	59.40	37.70	0.06	50.00	33.40	0.06	39.60	28.90	0.06
		62 (17)	62.60	47.70	0.06	54.70	43.50	0.06	46.20	39.20	0.06	37.50	35.00	0.07	30.70	30.70	0.13
	1750	72 (22)	103.00	50.00	0.00	94.30	46.00	0.00	84.60	41.50	0.05	73.90	36.80	0.06	62.00	32.00	0.07
		67 (19)	86.70	53.10	0.08	77.80	48.60	0.08	68.00	43.90	0.08	57.10	39.00	0.08	45.20	33.90	0.09
		62 (17)	71.70	55.70	0.09	62.70	50.90	0.09	53.10	46.20	0.09	43.40	41.50	0.10	36.30	36.30	0.18
4324	1050	72 (22)	96.72	47.64	0.00	89.31	43.85	0.00	80.91	39.78	0.00	71.39	35.44	0.00	60.74	30.89	0.01
		67 (19)	80.93	49.26	0.01	73.30	45.20	0.01	64.67	40.88	0.01	54.97	36.34	0.01	43.99	31.53	0.01
		62 (17)	66.64	50.56	0.01	58.77	46.28	0.01	50.10	41.84	0.01	40.70	37.29	0.02	32.63	32.63	0.07
	1400	72 (22)	117.07	57.30	0.00	108.20	53.03	0.00	98.03	48.31	0.01	86.74	43.33	0.02	73.81	37.96	0.02
		67 (19)	98.18	60.23	0.03	89.03	55.55	0.03	78.69	50.55	0.03	66.93	45.19	0.03	53.54	39.46	0.03
		62 (17)	81.03	62.70	0.03	71.60	57.72	0.03	61.25	52.56	0.03	50.15	47.21	0.03	41.46	41.46	0.11
	1750	72 (22)	133.38	65.28	0.00	123.30	60.58	0.02	111.98	55.48	0.03	99.21	50.01	0.04	84.49	44.04	0.04
		67 (19)	112.09	69.50	0.04	101.79	64.41	0.05	90.14	58.95	0.05	76.76	52.99	0.05	61.46	46.55	0.05
		62 (17)	92.72	73.26	0.05	82.16	67.85	0.05	70.58	62.18	0.05	58.38	56.24	0.06	49.33	49.33	0.15
4821 4824 T4821	1200	72 (22)	79.30	38.70	0.00	72.90	35.40	0.00	65.70	31.90	0.00	57.70	28.20	0.00	48.80	24.40	0.01
		67 (19)	66.60	40.20	0.02	60.00	36.60	0.02	52.70	32.90	0.02	44.60	29.10	0.02	35.70	25.10	0.03
		62 (17)	55.00	41.30	0.03	48.30	37.60	0.03	40.90	33.80	0.03	33.10	30.00	0.03	26.30	26.30	0.07
	1600	72 (22)	96.00	46.60	0.00	88.30	42.90	0.00	79.60	38.90	0.00	69.90	34.50	0.03	59.10	30.00	0.04
		67 (19)	80.90	49.20	0.04	72.90	45.00	0.04	64.10	40.70	0.05	54.20	36.10	0.05	43.30	31.40	0.05
		62 (17)	67.00	51.20	0.05	58.80	46.80	0.05	49.90	42.30	0.05	40.70	37.90	0.05	33.30	33.30	0.11
	2000	72 (22)	109.40	53.10	0.00	100.70	49.10	0.00	90.90	44.60	0.03	79.90	39.80	0.05	67.50	34.70	0.06
		67 (19)	92.40	56.70	0.06	83.40	52.20	0.07	73.30	47.40	0.07	62.00	42.20	0.07	49.50	36.90	0.07
		62 (17)	76.70	59.70	0.07	67.50	54.90	0.08	57.40	49.90	0.08	47.20	44.90	0.08	39.50	39.50	0.16
6024 T6024	1600	72 (22)	103.20	50.40	0.00	94.40	45.90	0.00	84.80	41.10	0.00	74.10	36.30	0.00	62.40	31.20	0.02
		67 (19)	86.40	52.10	0.02	77.50	47.20	0.02	67.80	42.30	0.02	57.10	37.20	0.03	45.40	32.10	0.03
		62 (17)	71.20	53.30	0.03	62.20	48.30	0.03	52.40	43.30	0.03	42.30	38.30	0.03	33.50	33.50	0.07
	2000	72 (22)	120.70	58.70	0.00	110.40	53.60	0.00	99.00	48.20	0.00	86.40	42.50	0.02	72.60	36.70	0.03
		67 (19)	101.20	61.30	0.03	90.70	55.70	0.04	79.20	50.00	0.04	66.60	44.10	0.04	52.80	38.10	0.05
		62 (17)	83.40	63.20	0.05	72.80	57.40	0.05	61.40	51.60	0.05	49.70	46.00	0.05	40.30	40.30	0.11
	2400	72 (22)	135.60	65.80	0.00	124.10	60.30	0.00	111.20	54.40	0.01	97.00	48.00	0.04	81.30	41.50	0.05
		67 (19)	113.90	69.30	0.05	102.10	63.20	0.06	89.10	56.90	0.06	74.80	50.30	0.06	59.20	43.60	0.06
		62 (17)	94.10	72.10	0.06	82.10	65.70	0.06	69.30	59.30	0.06	56.40	53.00	0.07	46.50	46.50	0.14
6124 T6124	1600	72 (22)	146.13	71.69	0.00	134.50	65.77	0.00	121.56	59.54	0.00	106.83	52.86	0.00	90.32	45.83	0.01
		67 (19)	122.06	74.12	0.02	110.18	67.82	0.02	96.85	61.17	0.02	81.83	54.15	0.02	64.91	46.78	0.02
		62 (17)	100.28	76.03	0.02	88.07	69.40	0.02	74.72	62.59	0.02	60.46	55.67	0.02	48.56	48.56	0.08
	2000	72 (22)	169.63	82.84	0.00	156.39	76.39	0.00	141.33	69.41	0.01	124.36	61.86	0.02	105.10	53.83	0.02
		67 (19)	142.02	86.75	0.03	128.36	79.72	0.03	112.89	72.20	0.03	95.38	64.18	0.03	75.60	55.70	0.03
		62 (17)	116.90	89.93	0.03	102.76	82.43	0.03	87.41	74.75	0.03	71.17	66.88	0.04	58.57	58.57	0.11
	2400	72 (22)	189.44	92.42	0.00	174.81	85.58	0.00	158.22	77.98	0.02	139.30	69.76	0.03	117.75	60.94	0.04
		67 (19)	158.99	97.85	0.04	143.83	90.25	0.04	126.61	82.05	0.04	107.02	73.24	0.05	84.86	63.87	0.05
		62 (17)	131.10	102.40	0.05	115.46	94.29	0.05	98.49	85.91	0.05	80.79	77.29	0.06	67.60	67.60	0.14

**CNPV / CNRV**

Legend:

**CFM** – Cubic Ft. per Minute      **EWB** – Entering Wet Bulb      **LWB** – Leaving Wet Bulb      **TC** – Gross Cooling Capacity 1000 Btuh  
**SHC** – Gross Sensible Capacity 1000 Btuh      **BF** – Bypass Factor      **MBH** – 1000 Btuh

See notes on page 8.

**NOTES:**

1. Contact manufacturer for cooling capacities at conditions other than shown in table.
2. Formulas:  

$$\text{Leaving db} = \text{entering db} - \frac{\text{sensible heat cap.}}{1.09 \times \text{CFM}}$$

$$\text{Leaving wb} = \text{wb corresponding to enthalpy of air leaving coil (h}_{LWB})$$

$$h_{LWB} = h_{EWB} - \frac{\text{total capacity (Btuh)}}{4.5 \times \text{CFM}}$$
 Where  $h_{EWB}$  = enthalpy of air entering coil
3. SHC is based on 80°F (27°C) db temperature of air entering the evaporator coil.  
 Below 80°F (27°C) db, subtract (Correction Factor x CFM) from SHC.  
 Above 80°F (27°C) db, add (Correction Factor x CFM) to SHC.
4. Direct interpolation is permissible. Do not extrapolate.
5. Fan motor heat has not been deducted.
6. All data points are based on 10°F (-12°C) superheat leaving coil and use of thermostatic expansion valve (TXV) device.
7. All units have sweat suction-tube connection and a liquid-tube connection. For 1-1/8-in. system suction tube, 3/4 x 1-1/8-in. suction tube connection adapter is available as accessory.
8. The CNPVP, CNPVT and CNPVU coils can be used in any properly designed system using Puron® refrigerant.
9. The CNRVP, CNRVV and CNRVU coils can be used in any properly designed system using R-22 refrigerant.
10. Before using maximum cfm shown in table, check coil static pressure drop to ensure system blower can provide necessary static pressure needed for coil and duct systems.
11. Bypass Factor = 0 indicates no psychometric solution. Use bypass factor of next lower EWB for approximation.

**CNPV / CNRV**

BYPASS FACTOR	ENTERING AIR DRY BULB TEMPERATURE °F (°C)					
	79 (26)	78 (26)	77 (25)	76 (24)	75 (24)	Under 75 (24)
	81 (27)	82 (28)	83 (28)	84 (29)	84 (29)	Above 85 (29)
Correction Factor						
0.10	0.98	1.96	2.94	3.92	4.91	Use formula shown below
0.20	0.87	1.74	2.62	3.49	4.36	
0.30	0.76	1.53	2.29	3.05	3.82	

Interpolation is permissible.  
 Correction Factor = 1.09 x (1 - BF) x (db - 80)





**PERFORMANCE DATA (cont.)**

**COIL STATIC PRESSURE DROP (in. w.c.) PURON® and R-22 REFRIGERANTS**

**CNPV / CNRV**

UNIT SIZE	Standard CFM																				
	400	500	600	700	800	900	1000	1100	1200	1300	1400	1500	1600	1700	1800	1900	2000	2100	2200		
1814	Dry																				
	0.078	0.114	0.156	0.198	0.253																
	Wet																				
1917	0.096	0.138	0.183	0.213	0.277																
	Dry																				
	0.042	0.060	0.080	0.102	0.128																
2414	Wet																				
	0.055	0.076	0.104	0.127	0.158																
	Dry																				
2417	0.070	0.103	0.143	0.182	0.233	0.290	0.354														
	Wet																				
	0.089	0.128	0.171	0.214	0.269	0.336	0.413														
3014	Dry																				
	0.048	0.068	0.090	0.112	0.140	0.170	0.203														
	Wet																				
3017	0.064	0.091	0.122	0.150	0.188	0.224	0.263														
	Dry																				
	0.031	0.046	0.063	0.083	0.105	0.130	0.156	0.193	0.230												
3117	Wet																				
	0.039	0.056	0.075	0.097	0.121	0.149	0.179	0.212	0.249												
	Dry																				
3617 T3617	0.043	0.061	0.082	0.103	0.128	0.157	0.189	0.221	0.259	0.299	0.341										
	Wet																				
	0.056	0.079	0.107	0.133	0.166	0.200	0.236	0.276	0.315	0.361	0.413										
3621	Dry																				
	0.035	0.048	0.062	0.076	0.093	0.111	0.132	0.153	0.177	0.201	0.228										
	Wet																				
3717	0.049	0.066	0.085	0.100	0.122	0.144	0.171	0.192	0.217	0.245	0.276										
	Dry																				
	0.025	0.038	0.054	0.072	0.093	0.117	0.143	0.171	0.205	0.233	0.273										
4217	Wet																				
	0.030	0.044	0.061	0.079	0.103	0.125	0.154	0.182	0.216	0.251	0.288										
	Dry																				
4221 T4221			0.072	0.093	0.118	0.145	0.175	0.206	0.243	0.281	0.322	0.366	0.413								
	Wet																				
			0.079	0.102	0.130	0.159	0.192	0.228	0.26	0.303	0.348	0.396	0.446								
4324	Dry																				
	0.030	0.041	0.054	0.066	0.082	0.099	0.118	0.137	0.158	0.180	0.205	0.231	0.259								
	Wet																				
4821 T4821	0.043	0.059	0.078	0.101	0.126	0.153	0.181	0.207	0.234	0.260	0.288	0.319	0.354								
	Dry																				
				0.053	0.062	0.073	0.084	0.097	0.111	0.126	0.138	0.154	0.172	0.190	0.210						
4824	Wet																				
				0.067	0.082	0.096	0.112	0.129	0.145	0.163	0.171	0.191	0.212	0.235	0.258						
	Dry																				
6024 T6024			0.047	0.060	0.075	0.092	0.110	0.130	0.152	0.176	0.204	0.230	0.256	0.284	0.318						
	Wet																				
			0.053	0.067	0.085	0.104	0.125	0.147	0.172	0.200	0.228	0.259	0.292	0.327	0.365						
6124 T6124	Dry																				
			0.015	0.046	0.057	0.069	0.094	0.019	0.119	0.124	0.140	0.158	0.175	0.195	0.214						
	Wet																				
6024 T6024			0.032	0.050	0.066	0.081	0.097	0.114	0.131	0.150	0.169	0.190	0.211	0.233	0.257						
	Dry																				
					0.062	0.073	0.084	0.097	0.111	0.126	0.138	0.154	0.172	0.190	0.210	0.228	0.251	0.273	0.293		
6124 T6124	Wet																				
					0.082	0.096	0.112	0.129	0.145	0.163	0.171	0.191	0.212	0.235	0.258	0.283	0.310	0.336	0.366		
	Dry																				
6124 T6124										0.130	0.140	0.160	0.180	0.200	0.220	0.240	0.270	0.290			
	Wet																				
											0.150	0.170	0.190	0.210	0.230	0.260	0.290	0.310	0.340		

## ACCESSORIES

### EMPTY COIL CASING ACCESSORY FOR UNCASSED N-COIL

ACCESSORY PART NUMBER	NOMINAL COIL SIZES	DIMENSIONS in (mm)		
		H	W	D
KCAKC2612ECC	CN*VU1814, 2414, 3014,	17 (432)	14-3/16 (361)	21 (533)
KCAKC2712ECC	CN*VU2417, 3017, 3617	17 (432)	17-1/2 (445)	21 (533)
KCAKC2808ECC	CN*VU3621, 4221, 4821	22-1/16 (560)	21 (533)	21 (533)
KCAKC2904ECC	CN*VU4824, 6024	26-5/16 (668)	24-1/2 (622)	21 (533)

### COUPLING KIT ACCESSORY FOR UNCASSED VERTICAL N-COIL

ACCESSORY PART NUMBER	NOMINAL COIL SIZES	DESCRIPTION
KCART0101MHA	CN*VU2417	5/8-in. Mechanical Connection Kit
KCART0101MHA	CN*VU3617, 4821	3/4-in. Mechanical Connection Kit

CNPV / CNRV

